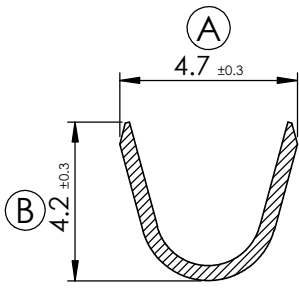
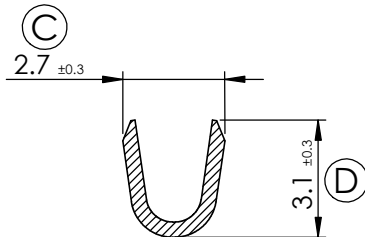


| SYMBOLS DEFINITION | |
|--------------------|-------------------------------|
| • | Critical/Functional dimension |
| ⊕ | Control dimension |
| ⊗ | Modification index |

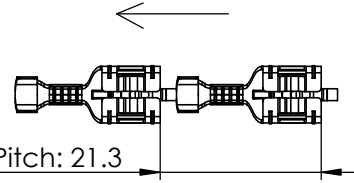


SECTION D-D

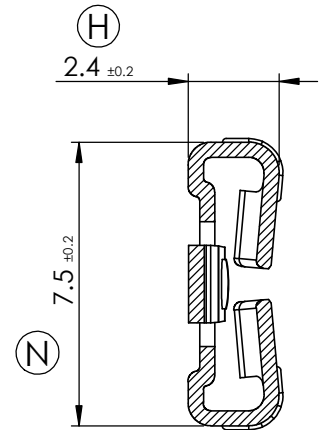
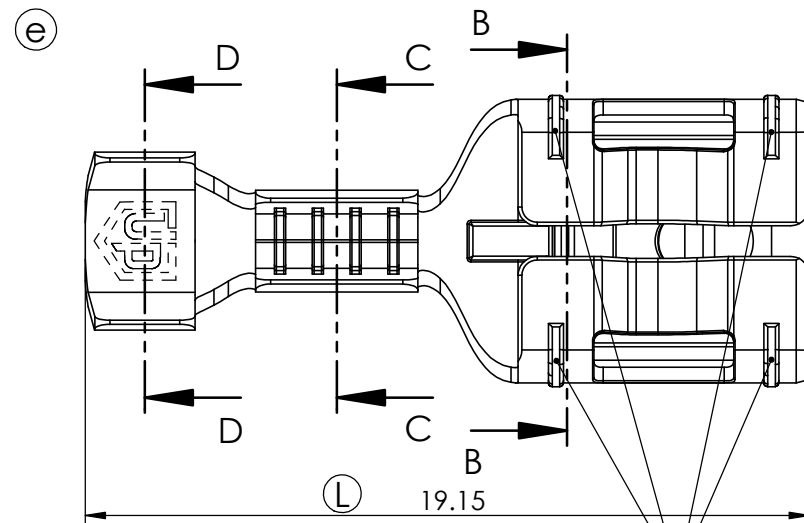
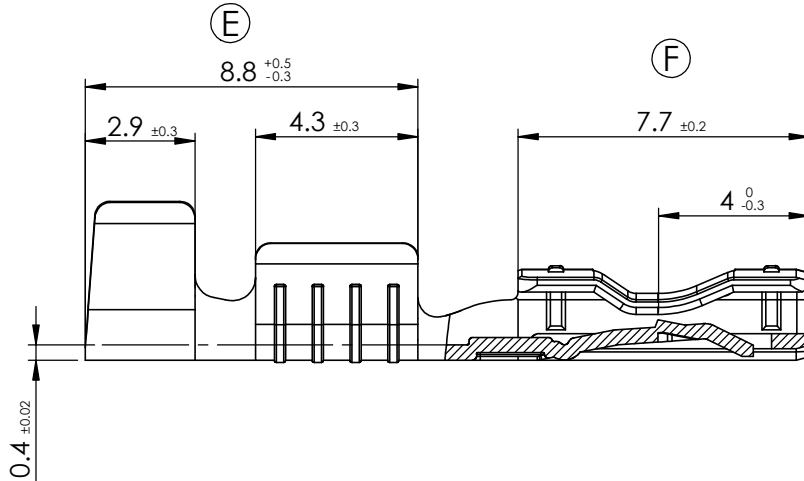


SECTION C-C

DELIVERY FORM



SCALE 1:1



SECTION B-B

Only for materials .00 & .01

| | | | | | | | | | | | |
|-----------|-------------|----------|-----------|-------------|---------------------|--|--|------|---------|--------------------|----------|
| 4836.24 | Pre-Ni pla. | Steel | | | | | | | | | |
| 4836.02 | Sn plated | | 0.5-1mm2 | 1.8-2.5mm | 6.3x0.8 DIN46244 | | | | | | |
| 4836.01 | Pre-Sn pla. | CuZn30 | | | | | | 01 | D.Yabar | Add .02 material | 11/03/25 |
| 4836.00 | Natural | | | | | | | 00 | D.Yabar | Delete provisional | 13/06/24 |
| Part Num. | Finish | Material | Wire Size | ∅Insulation | For Tab | | | Rev. | Name | Modification | Date |



LOW INSERTION RECEPTACLE
SERIES 6.3mm



| | | | | | | | |
|---------|---------|----------|-------------------|----------------------|--------------------|---------|------------|
| DRAWN | D.Yabar | 28/07/22 | | | | FORMAT | A4v |
| REVISED | X.Menac | 28/07/22 | MATERIAL STANDARD | DIMENSIONAL STANDARD | GENERAL TOLERANCES | DRAWING | PT4836 "C" |
| SCALE | 5:1 | | EN1654 | Special | ±0.2 | REF. | 4836.xx |