

22850** 2.8 (.110) TYPE SERIES · RECEPTACLES FOR CONNECTOR



Specification Receptacle Connectors

Ways 1

Thermal Characteristics

Part nr.	Raw material	Color	Flammability Class (UL 94)	Glow Wire Test (GWT) (IEC60695-2-11)	Glow Wire Flammability Index (IEC60695-2-12)	RTI electrical (Max. Operating Temp.)
2285010	PA66V2	Natural	V2	(T.B.D.)	850°C	105°C
2285030	PA66V0	Natural	V0	(T.B.D.)	960°C	140°C
2285040	PA66NF	Natural	V2	(T.B.D.)	960°C	130°C

For other materials and colors ask to: info@escubedo.com

Compatible terminals 4102.**, 4105.**, 4105E**, 4106.**, 4106F**, 4106G**, 4107.**, 4108.**, 4108E**, 4300.**, 4302.**, 4304.**, 4306.**, 4308.**, 4310.**, 4108F**

Insertion / Withdrawal forces

	2285010 / 30 / 40
1st Insertion (max)	10N

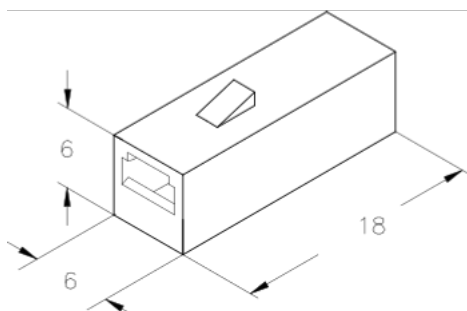
Approved regulations

Part nr.	Approval	Standard	File	Certified framework
2285010	UL	UL 310	E245592	V2 / RTI Elec., Max. Operating Temp, 65°C
2285030	UL	UL 310	E245592	V0 / RTI Elec., Max. Operating Temp, 140°C
2285040	UL	UL 310	E245592	V2 / RTI Elec., Max. Operating Temp, 130°C

Approvals



Drawing



Disclaimer

Data obtained from Escubedo Laboratory essays, using own methodology, cabling, equipment and original crimping tools, done in laboratory conditions and following the indicated standards, errors and omissions excepted. This document has no contractual meaning and it is publicised only for informative purposes. It can be changed without prior notice. The end customer has the sole responsibility to check these characteristics in its environment and with its own components, manufacturing methods and equipment. See also the full range product overview if available. For further information please visit our web site or contact us