

## 26315\*\* 6.3 (.250) TYPE SERIES · RECEPTACLES



**Connector type** Female Connector with Insertion Pokayoke

**Specification** Receptacle housings

**Ways** 1

### Thermal Characteristics

Part nr.	Raw material	Color	Flammability Class (UL 94)	Glow Wire Test (GWT) (IEC60695-2-11)	Glow Wire Flammability Index (IEC60695-2-12)	RTI electrical (Max. Operating Temp.)
2631510	PA66V2	Natural	V2	550°C	850°C	105°C
2631530	PA66V0	Natural	V0	(T.B.D.)	960°C	140°C
2631540	PANF	Natural	V2	750°C	960°C	130°C

For other materials and colors ask to: [info@escubedo.com](mailto:info@escubedo.com)

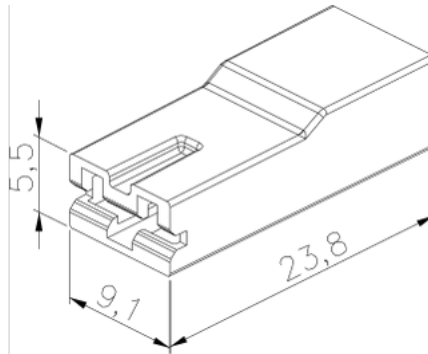
**Compatible terminals** 4836.\*\*, 4836F\*\*, 4837.\*\*, 4838.\*\*, 4839.\*\*

### Insertion / Withdrawal forces

	2631510 / 30 / 40
Terminal into connector cavity. Insertion force (max)	15N <sup>1</sup>
Terminal from connector cavity. Withdrawal force (min)	60N <sup>1</sup>

<sup>1</sup> Valid for

### Drawing



### Disclaimer

Data obtained from Escubedo Laboratory essays, using own methodology, cabling, equipment and original crimping tools, done in laboratory conditions and following the indicated standards, errors and omissions excepted. This document has no contractual meaning and it is publicised only for informative purposes. It can be changed without prior notice. The end customer has the sole responsibility to check these characteristics in its environment and with its own components, manufacturing methods and equipment. See also the full range product overview if available. For further information please visit our web site or contact us