

26382** 6.3 (.250) TYPE SERIES · MALES FOR CONNECTOR



Specification Male Connectors

Ways 6

Compatible terminals 6421.**, 6423.**, 6424.**, 6425.**, 6426.**, 6427.**, 6430.**, 6432.**, 6434.**, 6438.**, 6440.**

Thermal Characteristics

Part nr.	Raw material	Color	Flammability Class (UL 94)	Glow Wire Test (GWT) (IEC60695-2-11)	Glow Wire Flammability Index (IEC60695-2-12)	RTI electrical (Max. Operating Temp.)
2638210	PA66V2	Natural	V2	(T.B.D.)	850°C	105°C
2638240	PA6V2NF	Natural	V2	(T.B.D.)	960°C	130°C

For other materials and colors ask to: info@escubedo.com

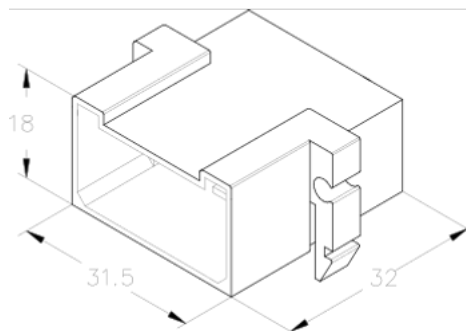
Approved regulations

Part nr.	Approval	Standard	File	Certified framework
2638210	UL	UL 1977	E245592	V2 / RTI Elec., Max. Operating Temp, 105°C
2638240	UL	UL 1977	E245592	V2 / RTI Elec., Max. Operating Temp, 130°C;

Approvals



Drawing



Disclaimer

Data obtained from Escubedo Laboratory essays, using own methodology, cabling, equipment and original crimping tools, done in laboratory conditions and following the indicated standards, errors and omissions excepted. This document has no contractual meaning and it is publicised only for informative purposes. It can be changed without prior notice. The end customer has the sole responsibility to check these characteristics in its environment and with its own components, manufacturing methods and equipment. See also the full range product overview if available. For further information please visit our web site or contact us