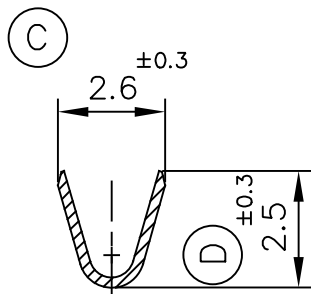
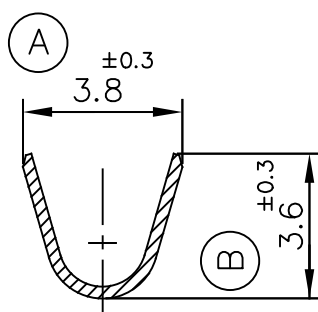


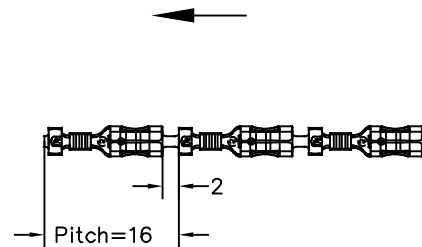
SECT. Z-Z'



SECT. X-X'

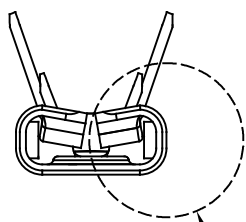
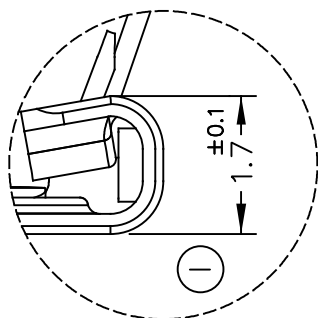


DELIVERED FORM: ON REELS

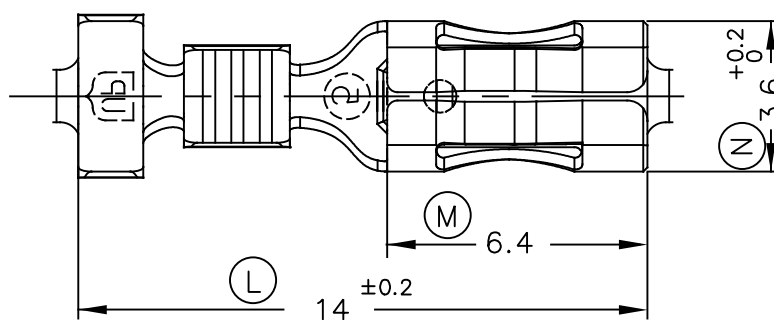
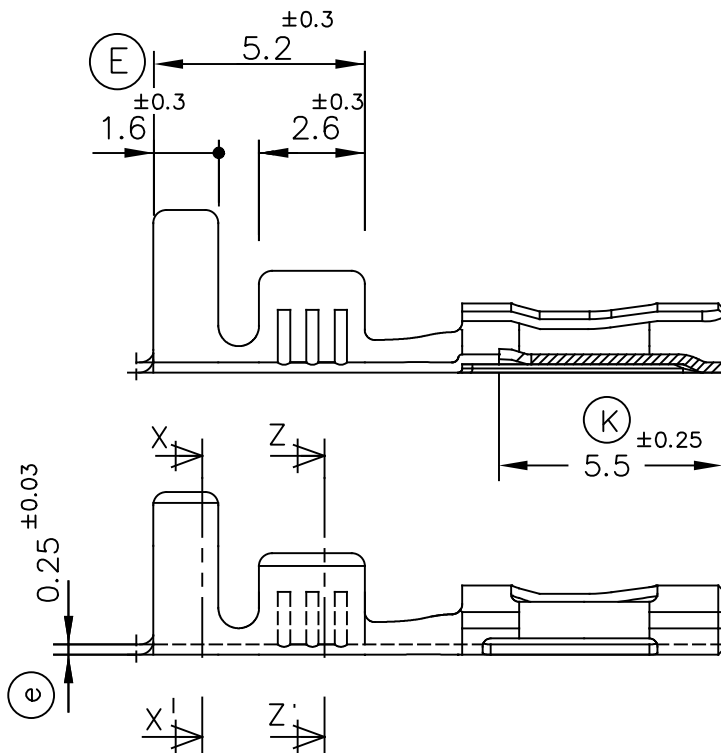


ESC. 1:1

Detalle A  
Esc: 10/1



Detalle A



4610.31	Pre Tinplated	Bronze										
4610.30	Unplated	CuSn6										
4610.24	Nickel plated	Steel	0.5—1mm. <sup>2</sup>	1.8+2.5mm.	2.8x0.5				02	Añadir ref. .24 .30 .31 (MB)	28/01/26	
4610.01	Pre Tinplated	Brass							01	Actualizar caja (OR)	10/08/21	
4610.00	Unplated	CuZn30							00	1st. Edition	28/06/19	
References	Surface Treat.	Material	Section	∅ Insulation	For tab	A	B	C	D	Rev.	Modificación	Fecha



ESCUBEDO  
Especialitats Elèctriques Escubedo S.A.

LOW INSERTION RECEPTACLE  
SERIES 2,8mm.



DESIGN	M.Codina	28/06/19
VERIFY	X.Menac	28/06/19
SCALE	5/1	

MATERIAL  
STANDARD  
EN 1654

DIMENSION  
STANDARD  
Special

GENERAL  
TOLERANCES  
±0.2 ±2°

FORMAT	A4v
FILE	PT4610 "c"
REF.	4610.xx