

4408.** 2.8 (.110) TYPE SERIES · RECEPTACLES



Specification For standard tabs. Rear dimple

Din Esp

For male (mm) 2,8x0,5

Wire size mm² (AWG) 0,5-1 (20-18)

Ø Insulation (mm) 1,8-2,5

Materials, temperature and contact resistance

Part nr.	Material	Finishing	Max. Temp. (°C)
4408.00	Brass	Natural	110
4408.02	Brass	Tin plated	120
4408.04	Brass	Nickel-plated	130
4408.30	Bronze	Natural	120
4408.32	Bronze	Tin plated	130

Material thickness (mm) 0,25

Max. rated current

Wire section	4408.00 / 02 / 04 / 30 / 32
0.50 mm ²	6A
0.75 mm ²	8A
1.00 mm ²	8A

Insertion / Withdrawal forces


	4408.00 / 02 / 04 / 30 / 32
1st Insertion (max)	35N ¹
1st Withdrawal (max)	40N ¹
1st Withdrawal (min)	13N ¹
6th Withdrawal (min)	9N ¹

¹ Valid for Natural Brass Tab

Application tool MN4406

Wire strip length 3.8 (±0.5) mm

Crimping parameters & pull out force

Wire section (±10%)	Conductor 		Insulator Width (mm)	Pull-out force (N)
	Height (mm)	Width (mm)		
0.50 mm ²	1.00 (±0.03)	2.04 (±0.03)	3.01 (±0.10)	56N @ 60s
0.75 mm ²	1.10 (±0.05)	2.05 (±0.05)	3.01 (±0.10)	84N @ 60s
1.00 mm ²	1.20 (±0.05)	2.06 (±0.05)	3.02 (±0.10)	108N @ 60s

Values only valid for the application tool specified upwards. The insulator widths are only indicative as they are dependent on the sheath thickness of the wire used.

Winding number 15000

Compatible connectors 22810**, 22811**, 22812**, 22820**

4408.** 2.8 (.110) TYPE SERIES · RECEPTACLES



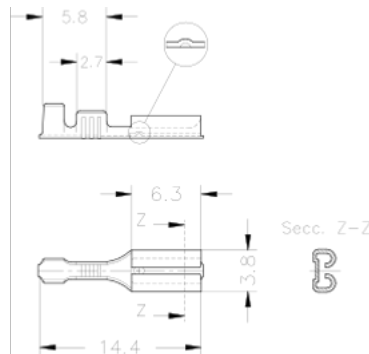
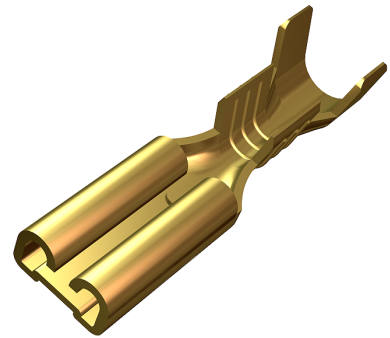
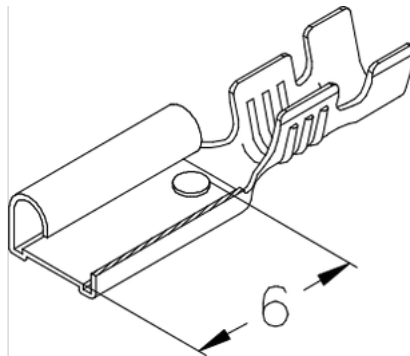
Approved regulations

Part nr.	Approval	Standard	File	Certified framework
4408.00	UL	UL 310	E211727	AWG 20-18 (10-16 Stranded Cu) / MN4408
4408.02	UL	UL 310	E211727	AWG 20-18 (10-16 Stranded Cu) / MN4408

Approvals



Drawing



Disclaimer

Data obtained from Escubedo Laboratory essays, using own methodology, cabling, equipment and original crimping tools, done in laboratory conditions and following the indicated standards, errors and omissions excepted. This document has no contractual meaning and it is publicised only for informative purposes. It can be changed without prior notice. The end customer has the sole responsibility to check these characteristics in its environment and with its own components, manufacturing methods and equipment. See also the full range product overview if available. For further information please visit our web site or contact us