

4596.** 2.29 (.090) TYPE SERIES - RECEPTACLES



Specification Terminal Cluster Block

Typology Oval contact model

For male (mm) Ø 2,285 ± 0,02

Wire size mm² (AWG) 0,35-0,75 (22-18)

Ø Insulation (mm) 1,8-2,5

Materials, temperature and contact resistance

Part nr.	Material	Finishing	Max. Temp. (°C)
4596.00	Brass	Natural	110
4596.02	Brass	Tin plated	120
4596.30	Bronze	Natural	120
4596.32	Bronze	Tin plated	130

Material thickness (mm) 0,4


Compatible connectors 28693**

Insertion / Withdrawal forces

	4596.32
1st Insertion (max)	60N ¹
1st Withdrawal (min)	12N ¹

¹ Valid for Valid for Pin gage Ø2.285mm ± 0.02mm

Crimping parameters & pull out force

Wire section (±10%)	Conductor 		Insulator Width (mm)	Pull-out force (N)
	Height (mm)	Width (mm)		
0.35 mm ²	1.22 (±0.03)	2.15 (±0.03)	-	40N @ 60s
0.50 mm ²	1.27 (±0.03)	2.16 (±0.03)	-	56N @ 60s
0.75 mm ²	1.35 (±0.05)	2.17 (±0.05)	-	86N @ 60s

Values only valid for the application tool specified upwards. The insulator widths are only indicative as they are dependent on the sheath thickness of the wire used.

Winding number 10000

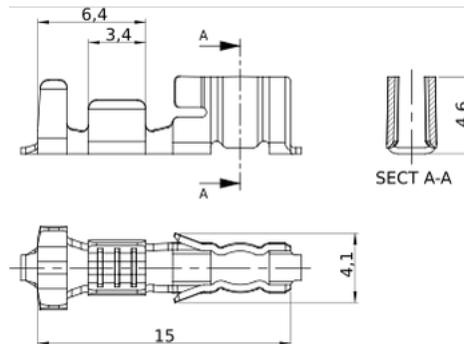
Approvals



4596.**
2.29 (.090) TYPE SERIES · RECEPTACLES



Drawing



Disclaimer

Data obtained from Escubedo Laboratory essays, using own methodology, cablings, equipment and original crimping tools, done in laboratory conditions and following the indicated standards, errors and omissions excepted. This document has no contractual meaning and it is publicised only for informative purposes. It can be changed without prior notice. The end customer has the sole responsibility to check these characteristics in its environment and with its own components, manufacturing methods and equipment. See also the full range product overview if available. For further information please visit our web site or contact us