

## 5212E\*\* 4.8 (.187) TYPE SERIES · MALE-FEMALE TERMINALS



<b>Specification</b>	Low insertion
<b>For male (mm)</b>	4,8x0,5
<b>Wire size mm<sup>2</sup> (AWG)</b>	0,5-1,5 (20-16)
<b>Ø Insulation (mm)</b>	1,8-3,3

### Materials, temperature and contact resistance

Part nr.	Material	Finishing	Max. Temp. (°C)
5212E00	Brass	Natural	110
5212E01	Brass	Pre-tin-plated	120
5212E24	Steel	Nickel-plated	300
5212E30	Bronze	Natural	120
5212E31	Bronze	Pre-tin-plated	130
5212E70	German Silver	Natural	210

**Material thickness (mm)** 0,35

### Max. rated current

Wire section	5212E00 / 01 / 24 / 30 / 31 / 70
0.50 mm <sup>2</sup>	8A
0.75 mm <sup>2</sup>	10A
1.00 mm <sup>2</sup>	12A
1.50 mm <sup>2</sup>	16A

### Insertion / Withdrawal forces

	5212E00 / 01 / 24 / 30 / 31 / 70
1st Insertion (max)	25N <sup>1</sup>
1st Withdrawal (max)	50N <sup>1</sup>
1st Withdrawal (min)	22N <sup>1</sup>
6th Withdrawal (min)	13N <sup>1</sup>

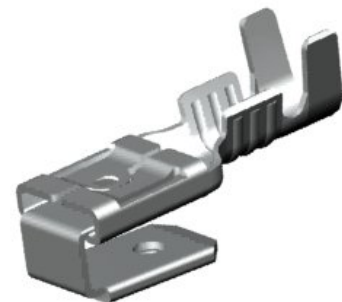
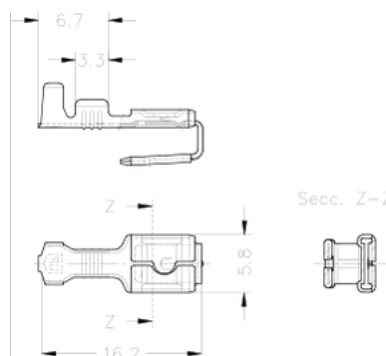
<sup>1</sup> Valid for Natural Brass Tab

**Winding number** 2500

### Approvals



### Drawing



### Disclaimer

Data obtained from Escubedo Laboratory essays, using own methodology, cabling, equipment and original crimping tools, done in laboratory conditions and following the indicated standards, errors and omissions excepted. This document has no contractual meaning and it is publicised only for informative purposes. It can be changed without prior notice. The end customer has the sole responsibility to check these characteristics in its environment and with its own components, manufacturing methods and equipment. See also the full range product overview if available. For further information please visit our web site or contact us