

6408E** 2.8 (.110) TYPE SERIES · MALES FOR CONNECTOR



Specification Standard Tab

Typology WITHOUT Hole and WITHOUT Side stops

Wire size mm² (AWG) 1-2,5 (18-14)

Ø Insulation (mm) 1,8-2,9

Materials, temperature and contact resistance

Part nr.	Material	Finishing	Max. Temp. (°C)
6408E00	Brass	Natural	110
6408E01	Brass	Pre-tin-plated	120
6408E30	Bronze	Natural	120
6408E31	Bronze	Pre-tin-plated	130

Material thickness (mm) 0,4

Max. rated current

Wire section	6408E00 / 01 / 30 / 31
1.00 mm ²	8A
1.50 mm ²	8A
2.00 mm ²	8A
2.50 mm ²	8A

Crimping parameters & pull out force

Wire section (±10%)	Conductor		Insulator	Pull-out force (N)
	Height (mm)	Width (mm)	Width (mm)	
1.00 mm ²	1.62 (±0.05)	2.81 (±0.10)	3.10 (±0.10)	108N @ 60s
1.50 mm ²	1.70 (±0.05)	2.83 (±0.10)	3.13 (±0.10)	150N @ 60s
2.50 mm ²	1.90 (±0.05)	2.89 (±0.10)	3.15 (±0.10)	230N @ 60s

Values only valid for the application tool specified upwards. The insulator widths are only indicative as they are dependent on the sheath thickness of the wire used.

Winding number 4000

Compatible connectors 21002**, 21016**, 22840**, 22841**, 22853**

Tongue thickness (mm) 0,8

Approved regulations

Part nr.	Approval	Standard	File	Certified framework
6408E00	UL	UL 310	E211727	AWG 18-14 (16-41 Stranded Cu) / MN6408
6408E01	UL	UL 310	E211727	AWG 18-14 (16-41 Stranded Cu) / MN6408

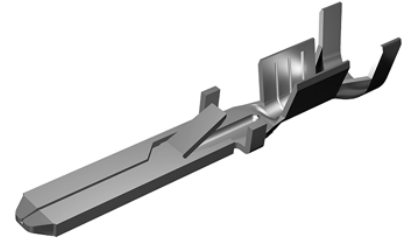
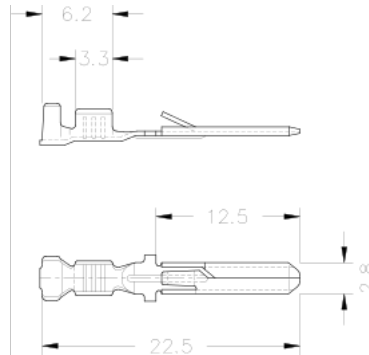
Approvals



6408E**
2.8 (.110) TYPE SERIES · MALES FOR CONNECTOR



Drawing



Disclaimer

Data obtained from Escubedo Laboratory essays, using own methodology, cabling, equipment and original crimping tools, done in laboratory conditions and following the indicated standards, errors and omissions excepted. This document has no contractual meaning and it is publicised only for informative purposes. It can be changed without prior notice. The end customer has the sole responsibility to check these characteristics in its environment and with its own components, manufacturing methods and equipment. See also the full range product overview if available. For further information please visit our web site or contact us