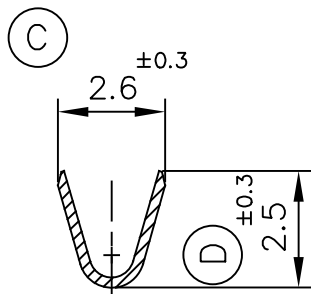
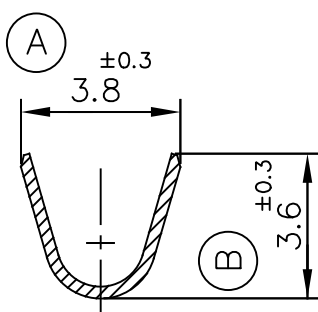


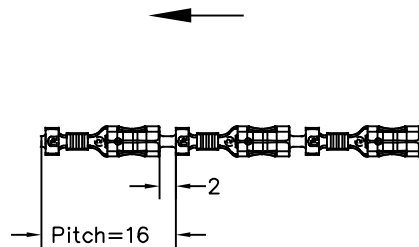
SECT. Z-Z'



SECT. X-X'



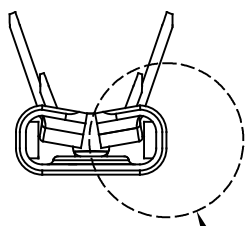
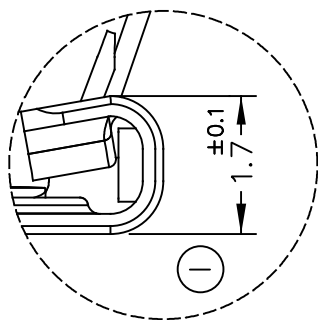
DELIVERED FORM: ON REELS



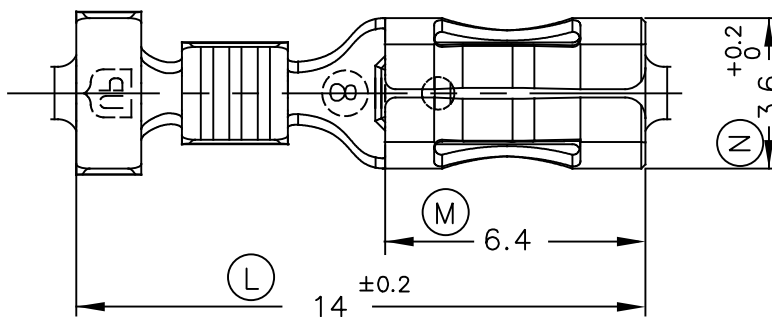
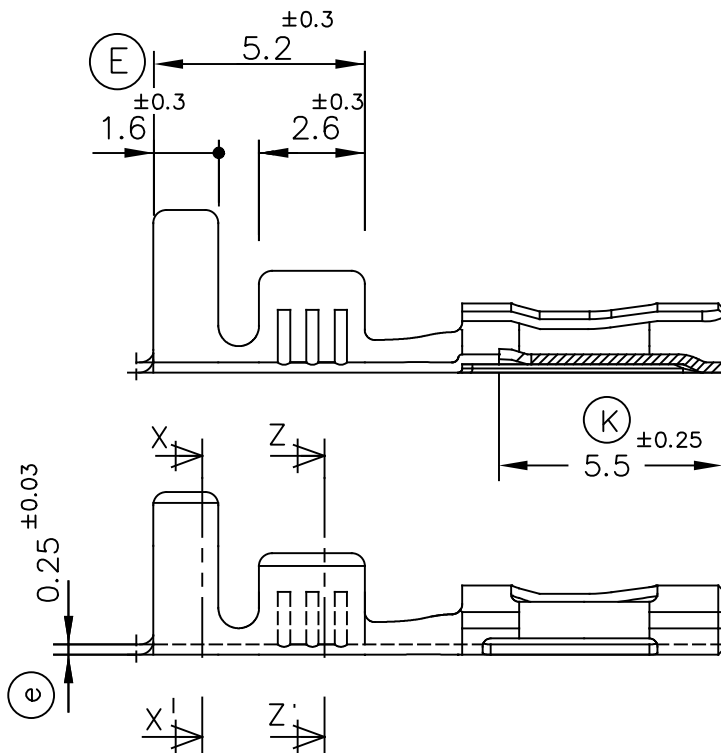
ESC. 1:1

Detalle A

Esc: 10/1



Detalle A



4611.31	Pre Tinplated	Bronze										
4611.30	Unplated	CuSn6										
4611.24	Nickel plated	Steel	0.5—1mm. ²	1.8+2.5mm.	2.8x0.8				02	Añadir ref. .24 .30 .31 (MB)	28/01/26	
4611.01	Pre Tinplated	Brass							01	Actualizar caja (OR)	10/08/21	
4611.00	Unplated	CuZn30							00	1st. Edition	22/07/19	
References	Surface Treat.	Material	Section	∅ Insulation	For tab	A	B	C	D	Rev.	Modificación	Fecha



ESCUBEDO
Especialitats Elèctriques Escubedo S.A.

LOW INSERTION RECEPTACLE
SERIES 2,8mm.



DESIGN	M.Codina	22/07/19
VERIFY	X.Menac	22/07/19
SCALE	5/1	

MATERIAL
STANDARD
EN 1654

DIMENSION
STANDARD
Special

GENERAL
TOLERANCES
±0.2 ±2°

FORMAT	A4v
FILE	PT4611 "c"
REF.	4611.xx