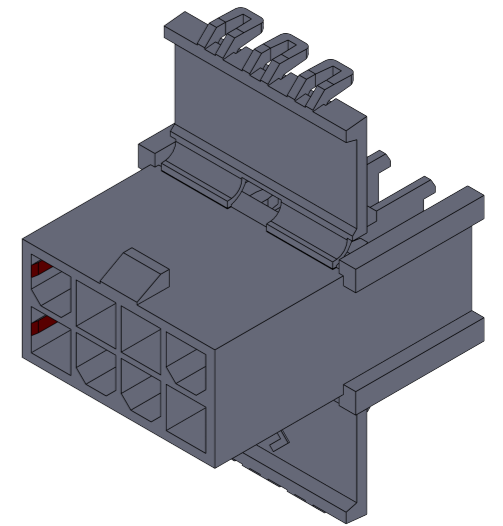
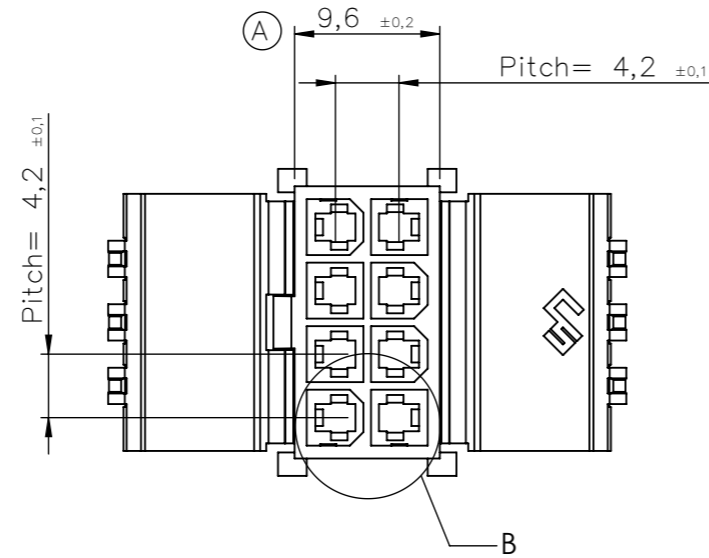
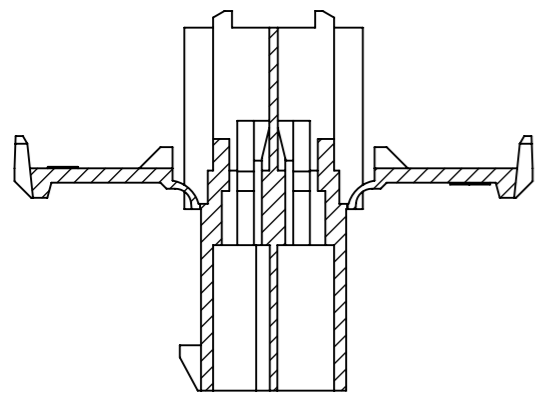


DETAIL B  
SCALE 5 : 1

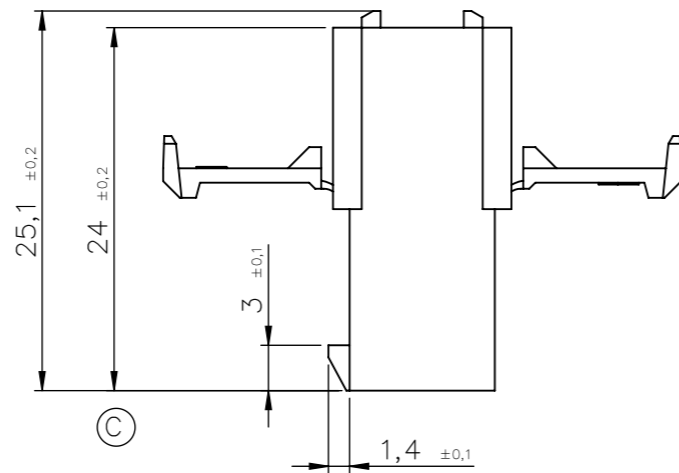


NOTES

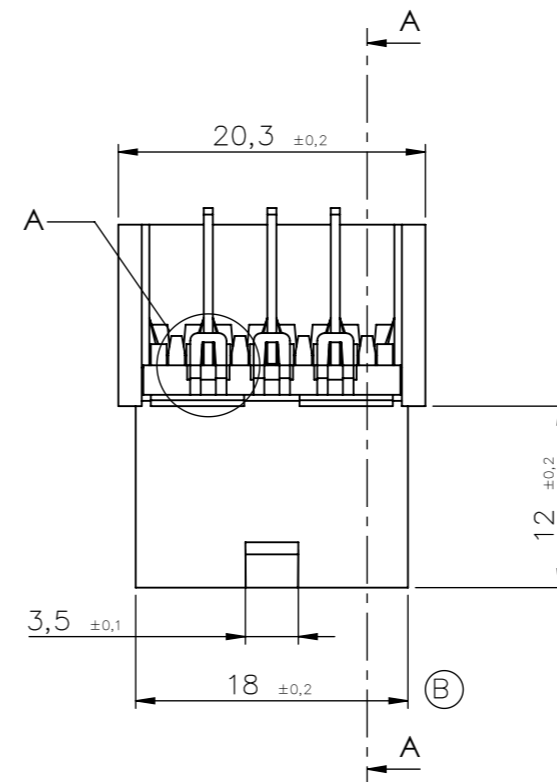
GENERAL NOTES	
Refer to 3D for missing dimensions. In case of doubt, ask before interpretate any dimension.	
SYMBOLS DEFINITION	
⊗	Control dimension



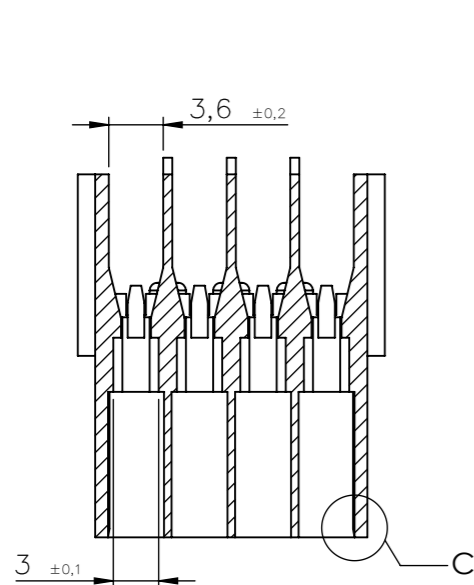
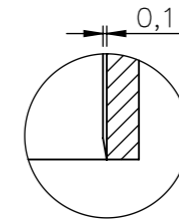
SECTION A-A



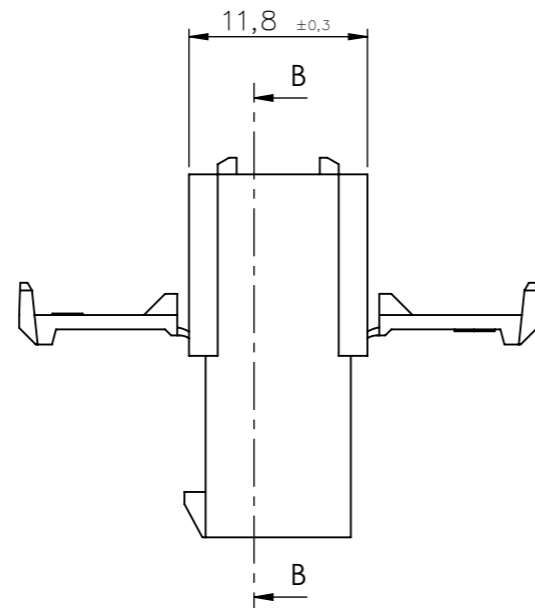
SECTION C-C



DETAIL C  
SCALE 5 : 1



SECTION B-B



SECTION B-B

06	O.Roura	Suppress mat. 45	10/03/25
05	-	Version 3.5->3.7	27/04/17
04	-	242F2460/50	26/04/16
03	-	Mat. 15%GF	11/07/14
02	-	Material	29/05/14
01	-	Fecha	14/04/14
00	V.Roura	Ref/Añ.pinza	16/01/12
00	V.Roura	1° Edición	16/01/12

242F2480	Natural	PAV2NF	2x4w
242F2460	Natural	PAV0NF	
242F2440	Natural	PAV2GFNF	
242F2430	Natural	PAV0	
242F2410	Natural	PAV2	

Part Number	Finish	Material	Ways	Rev	Name	Modification	Date
-------------	--------	----------	------	-----	------	--------------	------

		<b>MALE HOLDER</b> PITCH 4.2 mm – UPFIT					
DRAWN	V.Roura	16/01/12			FORMAT	A3h	
REVISED	F.Adamuz	16/01/12	MATERIAL STANDARDS	DIMENSIONAL STANDARDS	GENERAL TOLERANCES	DRAWING	PTC-c568
SCALE	2:1		Special	Special	±0,25	REF. 242F24xx	r06