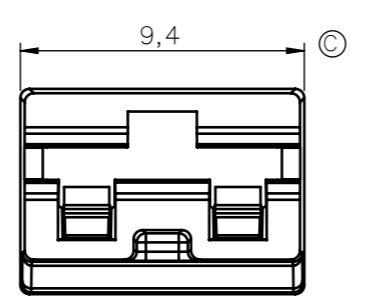
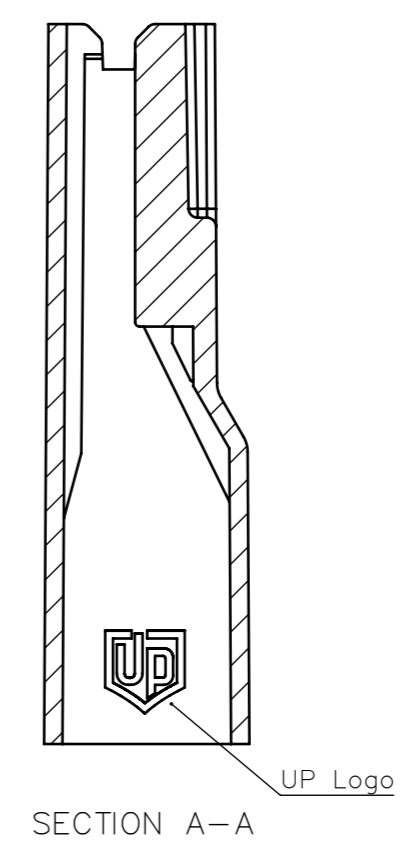
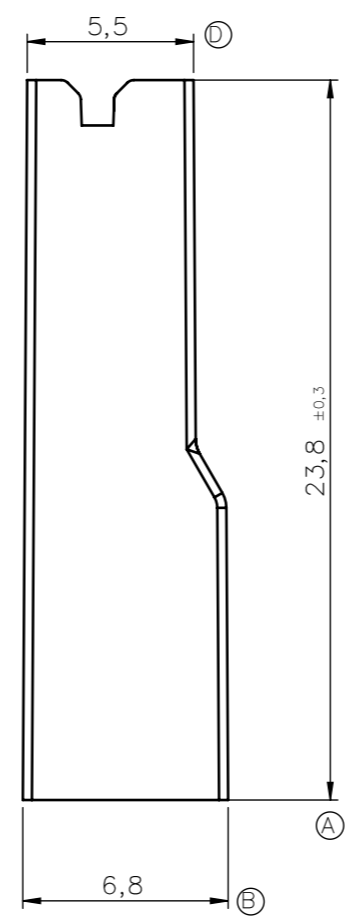
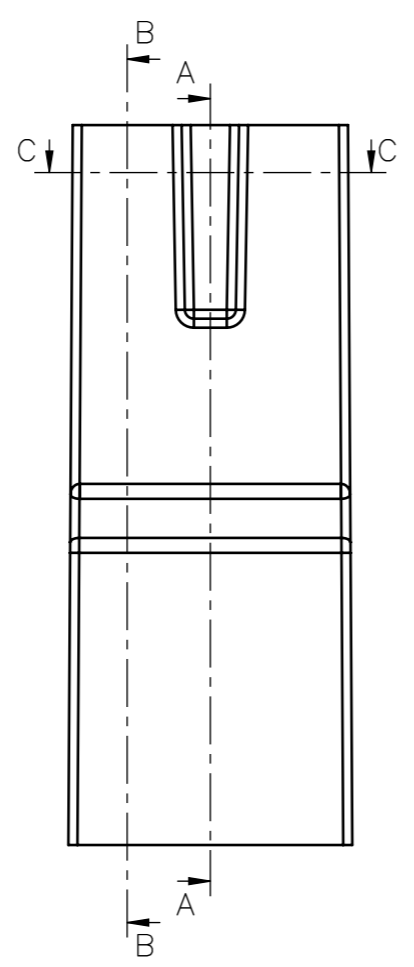
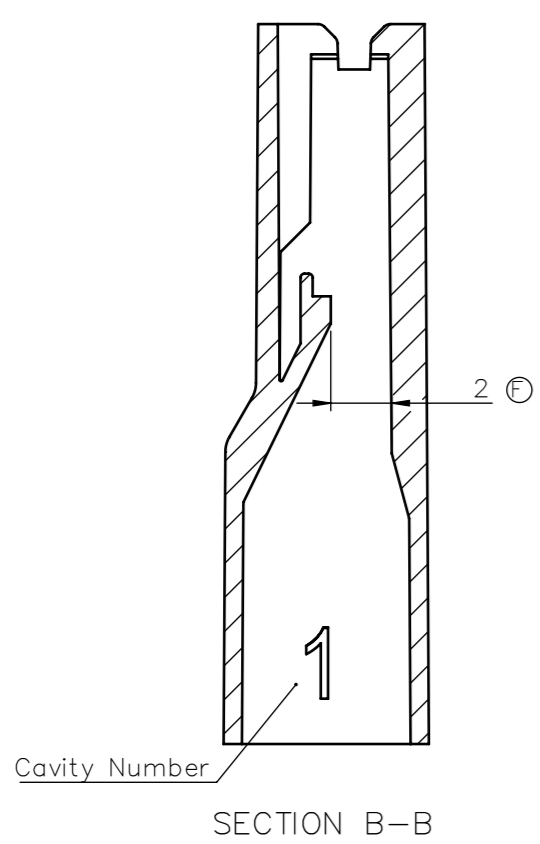


NOTES	
SYMBOLS DEFINITION	
⊕	Control dimension



2631540	Natural	PA6V2NF	1W	r00	O.Roura	1st Edition	03/09/25	
2631530		PA66V0						
2631510		PA66V2						
Part Number	Finish	Material	Ways	Rev	Name	Modification	Date	
		HOUSING FOR RECEPTACLE INSERTION POKAYOKE SERIES 6.3 – UP-TP2						
DRAWN	O.Roura	03/09/25	MATERIAL STANDARDS		DIMENSIONAL STANDARDS		GENERAL TOLERANCES	
REVISD	E.Turon	03/09/25	Special		Special		±0,25	
SCALE	4:1					REF. 26315xx		