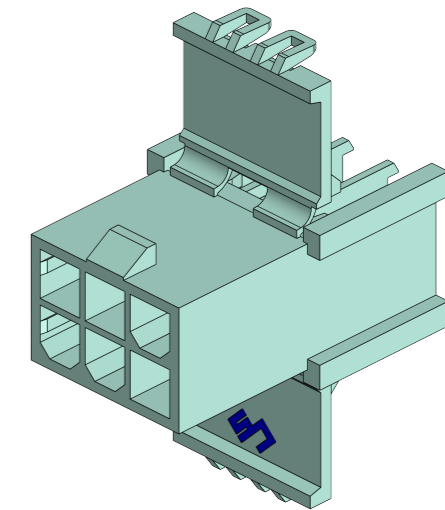
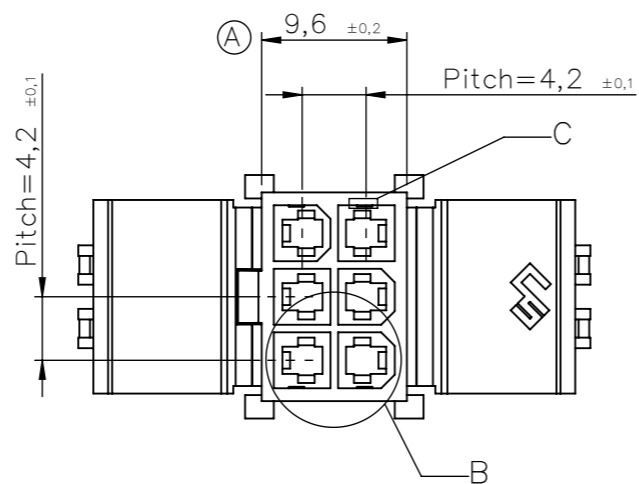
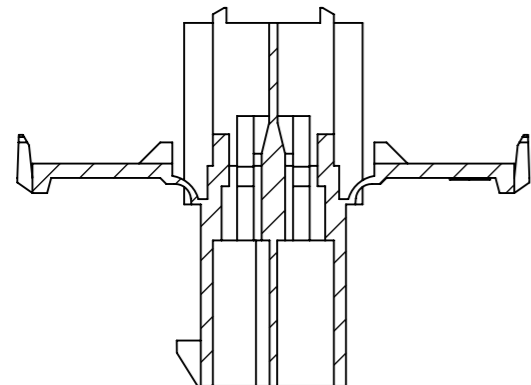


DETAIL B
SCALE 5 : 1

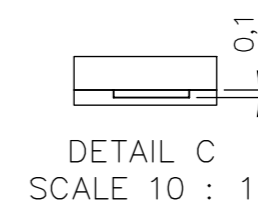
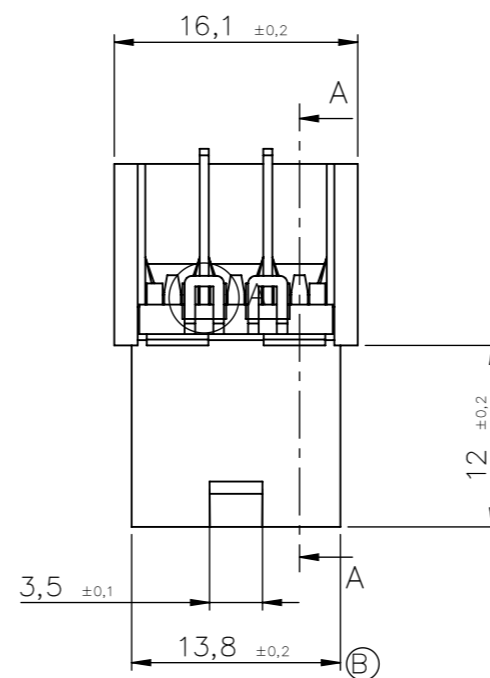
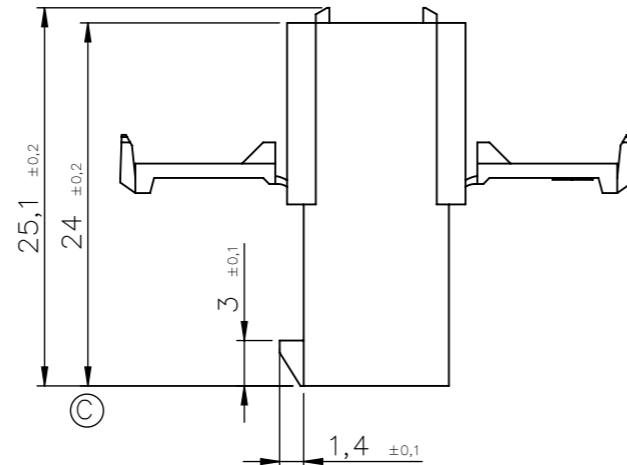


NOTES

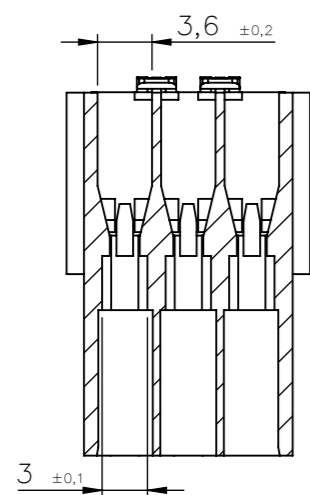
GENERAL NOTES	
Refer to 3D for missing dimensions. In case of doubt, ask before interpretate any dimension.	
SYMBOLS DEFINITION	
⊗	Control dimension



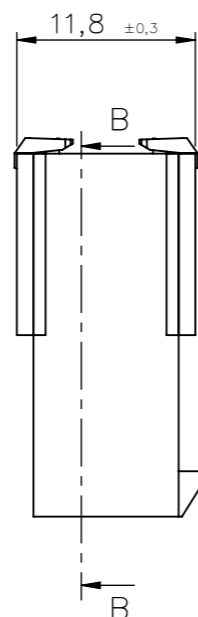
SECTION A-A



DETAIL C
SCALE 10 : 1



SECTION B-B



06	O.Roura	Suppress mat. 45	22/12/25
05	-	Version 3.5->3.7	25/05/17
04	-	Mdf.vista cota	27/04/17
03	-	242F2360/80	26/04/16
02	-	Mat. 15%GF	16/06/14
01	-	Mat. 7%GF /Fechador	20/06/12
00	V.Roura	PANF-GF Negro	16/01/12
		1° Edición	

Part Number	Finish	Material	Ways	Rev	Name	Modification	Date
242F2380	Natural	PAV2NF	2x3w				
242F2360	Natural	PAV0NF					
242F2340	Natural	PAV2GFNF					
242F2330	Natural	PAV0					
242F2310	Natural	PAV2					

DRAWN	V.Roura	16/01/12
REVISED	F.Adamuz	16/01/12
SCALE	2:1	

MALE HOLDER PITCH 4.2 mm – UPFIT		
MATERIAL STANDARDS	DIMENSIONAL STANDARDS	GENERAL TOLERANCES
Special	Special	±0,25

FORMAT	A3h
DRAWING	PTC-c567
REF. 242F23xx	r06