

## 8542.\*\* MINI UP-LOK · RECEPTACLES FOR CONNECTOR



**Specification** Receptacles

**Ø (mm)** 1

**Wire size mm<sup>2</sup> (AWG)** 0,5-0,75 (20-18)

**Ø Insulation (mm)** 1,5-1,9

**Materials, temperature and contact resistance**

Part nr.	Material	Finishing	Max. Temp. (°C)
8542.00	Brass	Natural	110
8542.01	Brass	Pre-tin-plated	120

**Material thickness (mm)** 0,2

**Compatible connectors** 22021\*\*, 22022\*\*, 22022\*\*E, 22023\*\*, 22023\*\*E, 22024\*\*, 22024\*\*E, 22026\*\*, 22026\*\*E, 22029\*\*, 22029\*\*E, 22031\*\*, 22032\*\*, 22033\*\*, 22034\*\*, 22036\*\*, 22039\*\*, 22082\*\*, 22082\*\*E, 22085\*\*, 22085\*\*E, 22092\*\*, 22095\*\*

**Counterpart** 7540\*\*, 7542\*\*, 7544.\*\*

**Insertion / Withdrawal forces**


	8542.00 / 01
1st Insertion (max)	8N <sup>1</sup>
1st Withdrawal (min)	2N <sup>1</sup>

<sup>1</sup> Valid for Mini - UP LOCK (male)

**Application tool** MN7542

**Wire strip length** 3.0 (±0.5) mm

**Crimping parameters & pull out force**

Wire section (±10%)	Conductor 		Insulator	Pull-out force (N)
	Height (mm)	Width (mm)		
0.50 mm <sup>2</sup>	0.90 (±0.03)	1.54 (±0.03)	2.20 (±0.10)	56N @ 60s
0.75 mm <sup>2</sup>	1.00 (±0.05)	1.55 (±0.05)	2.21 (±0.10)	84N @ 60s

Values only valid for the application tool specified upwards. The insulator widths are only indicative as they are dependent on the sheath thickness of the wire used.

**Winding number** 6000

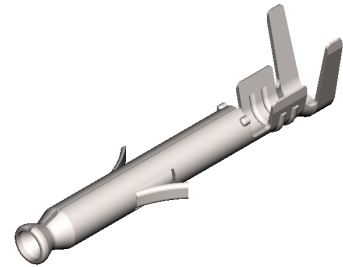
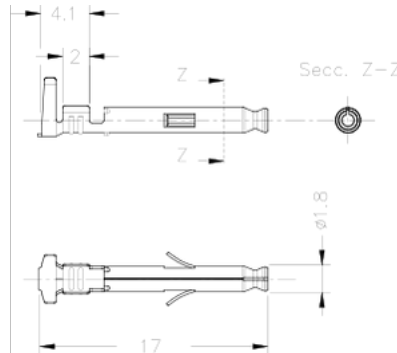
**Approvals**



**8542.\*\***  
**MINI UP-LOK · RECEPTACLES FOR CONNECTOR**



Drawing



**Disclaimer**

Data obtained from Escubedo Laboratory essays, using own methodology, cabling, equipment and original crimping tools, done in laboratory conditions and following the indicated standards, errors and omissions excepted. This document has no contractual meaning and it is publicised only for informative purposes. It can be changed without prior notice. The end customer has the sole responsibility to check these characteristics in its environment and with its own components, manufacturing methods and equipment. See also the full range product overview if available. For further information please visit our web site or contact us