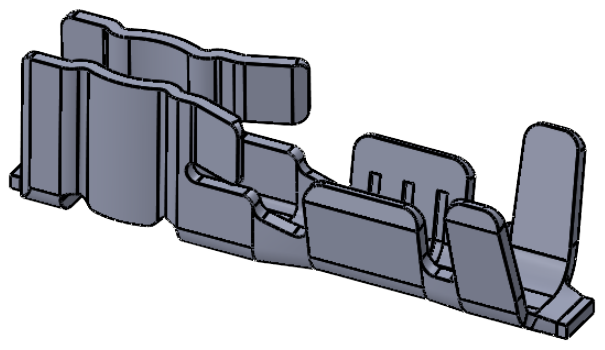
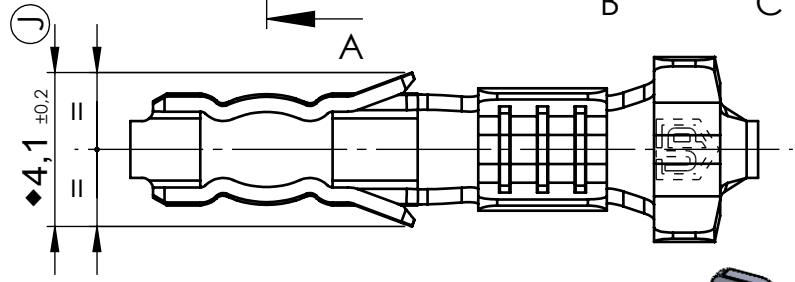
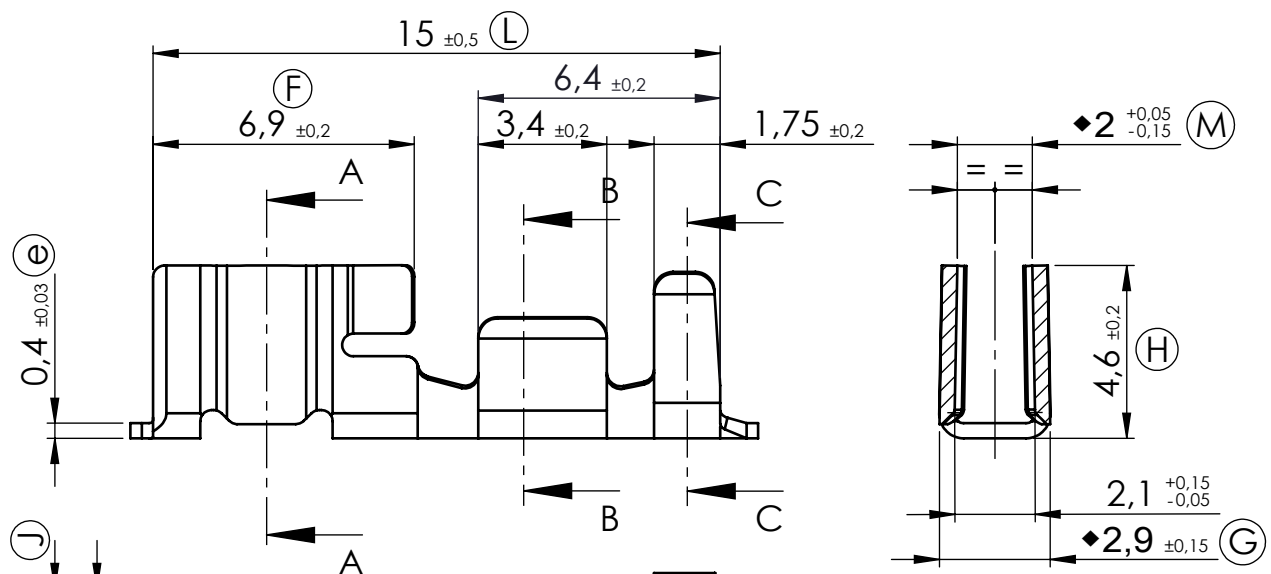
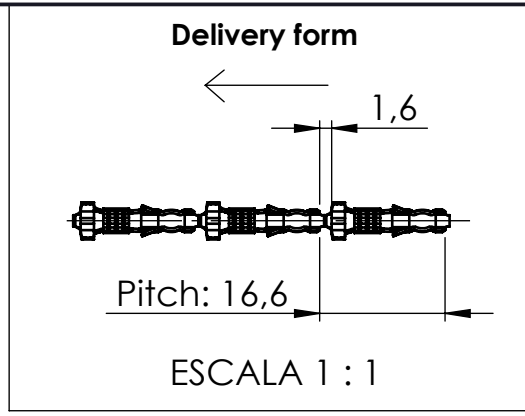
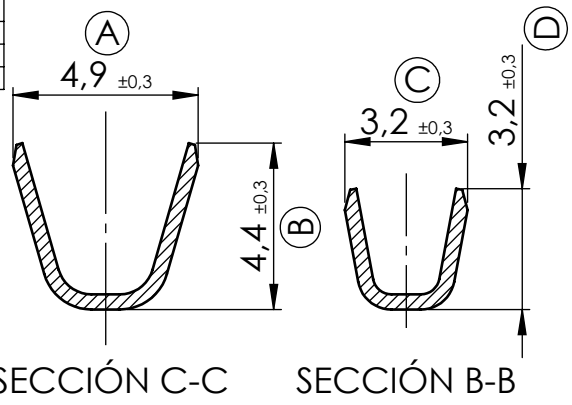


SYMBOLS DEFINITION	
•	Critical/Functional dimension
⊙	Control dimension
Ⓜ	Modification index



4595.32	Post-Sn	CuSn6	0,75-1,5	2-3,3						
4595.30	Natural	CuSn6								
4595.02	Post-Sn	CuZn30								
4595.00	Natural	CuZn30								
Part Num.	Finish	Material	Wire size (mm ²)	Insulation (mm.)	For Tab	A	Rev.	Name	Modification	Date

			CLUSTER BLOCK RECEPTACLE 2.29 [.090] DIA						
DRAWN	D.Garriga	08/04/2024	MATERIAL STANDARD EN1654	DIMENSIONAL NORMS Special	GENERAL TOLERANCES ±0.2±2°	FORMAT	A4v		
REVISED	E.Turon	08/04/2024				DRAWING	PT4595"C"		
SCALE	5:1						REF.	4595.xx	1