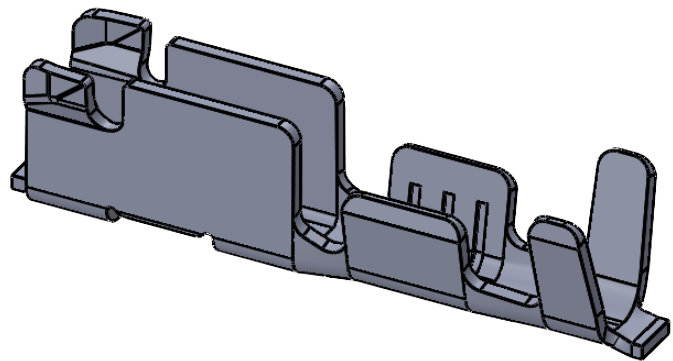
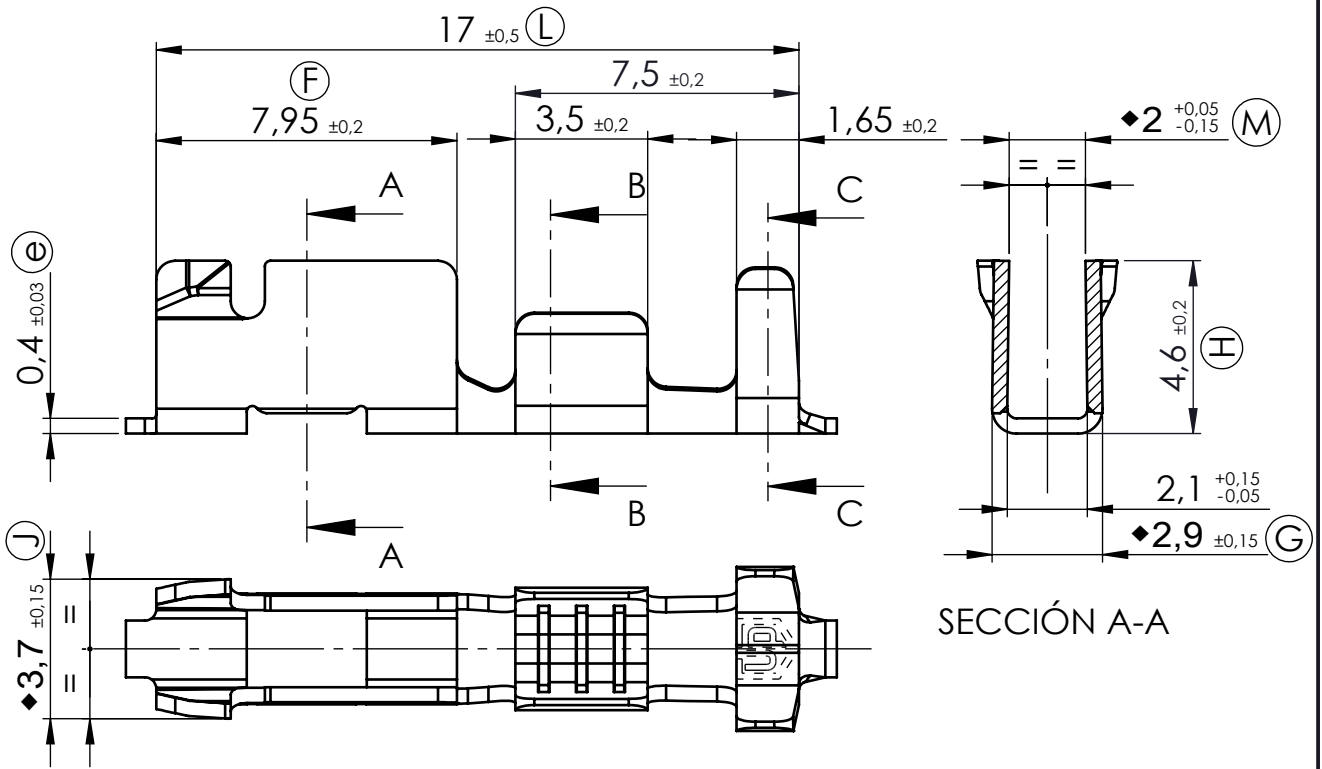
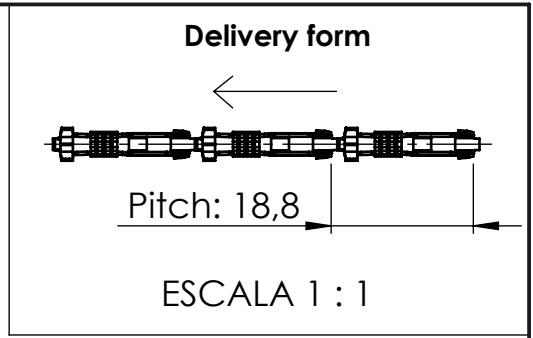
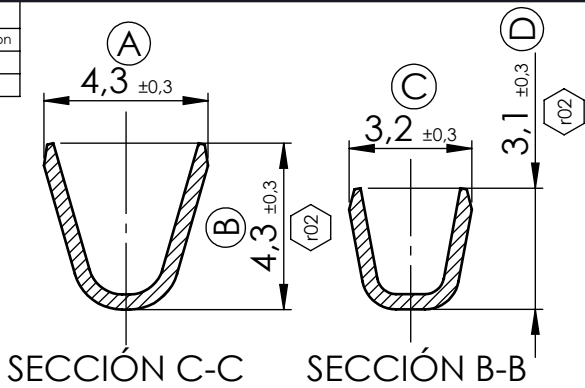


| SYMBOLS DEFINITION | |
|--------------------|-------------------------------|
| • | Critical/Functional dimension |
| ⊙ | Control dimension |
| Ⓜ | Modification index |



| 4593.32 | Post-Sn | CuSn6 | 0,75-1,5 | 1,8-2,5 | | | | 02 | D.Garriga | Modification of crimping wings height | 18/02/2026 |
|-----------|---------|----------|------------------------------|------------------|---------|---|------|------|--------------|---------------------------------------|------------|
| 4593.30 | Natural | CuSn6 | | | | | | 01 | D.Garriga | Add materials | 18/09/2025 |
| 4593.02 | Post-Sn | CuZn30 | | | | | | 00 | D.Garriga | 1 ^a Release | 18/12/2023 |
| 4593.00 | Natural | CuZn30 | | | | | | | | | |
| Part Num. | Finish | Material | Wire size (mm ²) | Insulation (mm.) | For Tab | A | Rev. | Name | Modification | Date | |

| | | | | | | | | | |
|---------|-----------|------------|---|------------------------------|-------------------------------|---------|-----------|---------|---|
| | | | RECEPTACLE, CLUSTER PIN, 2.29 [.090] DIA | | | | | | |
| DRAWN | D.Garriga | 18/12/2023 | MATERIAL STANDARD EN1654 | DIMENSIONAL NORMS Special | GENERAL TOLERANCES ±0.2±2° | FORMAT | A4v | | |
| REVISED | E.Turon | 18/12/2023 | | | | DRAWING | PT4593"C" | | |
| SCALE | 5:1 | | | | | | REF. | 4593.xx | 2 |