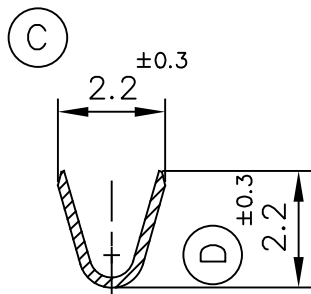
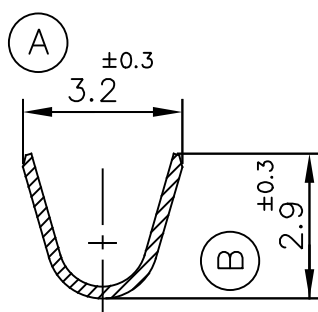


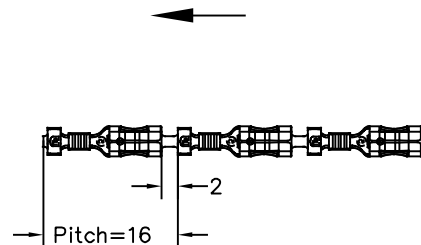
SECT. Z-Z'



SECT. X-X'



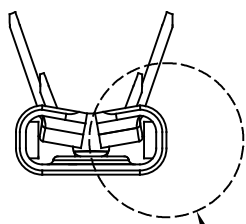
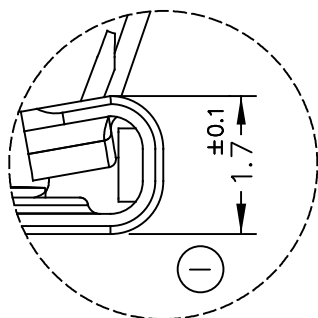
DELIVERED FORM: ON REELS



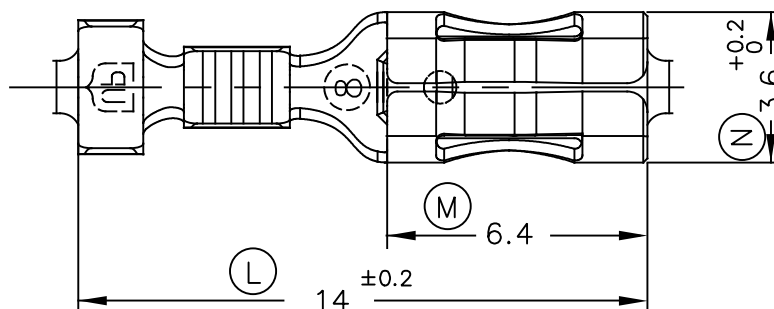
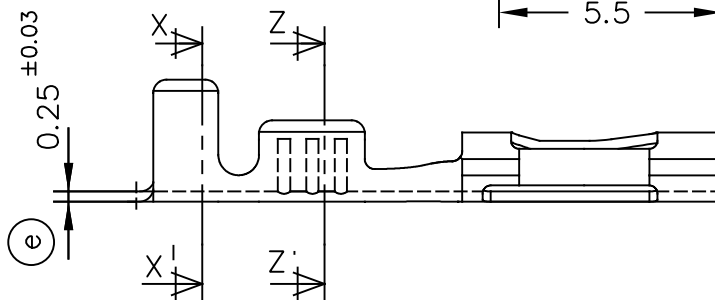
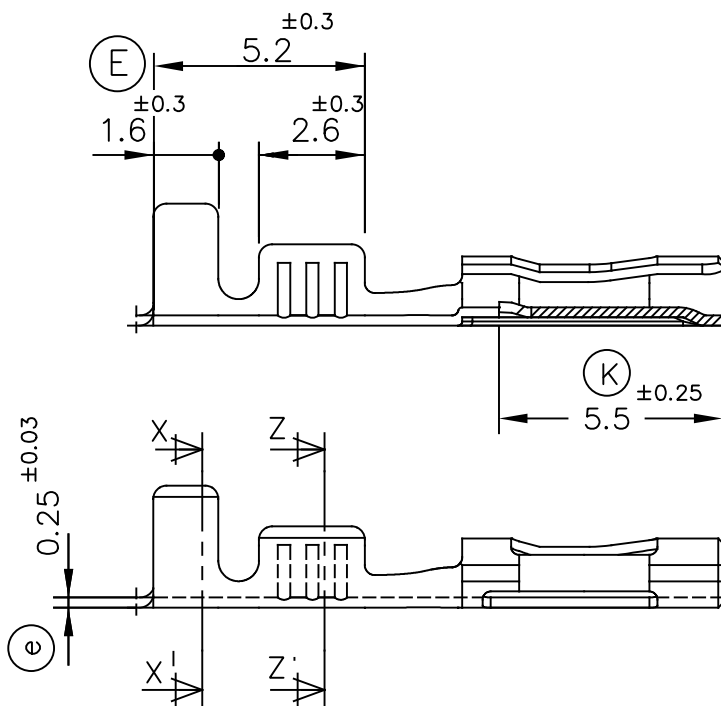
ESC. 1:1

Detalle A

Esc: 10/1



Detalle A



4602.31	Pre Tinplated	Bronze	0.2-0.6mm ²	1.5+2mm.	2.8x0.8						03	Añadir ref. .24 .30 .31 (MB)	17/03/26
4602.30	Unplated	CuSn6									02	Actualizar caja (OR)	10/08/21
4602.24	Nickel plated	Steel									01	Mod. Section	24/09/19
4602.01	Pre Tinplated	Brass									00	1st. Edition	22/07/19
4602.00	Unplated	CuZn30											
References	Surface Treat.	Material	Section	∅ Insulation	For tab	A	B	C	D	Rev.	Modificación	Fecha	



ESCUBEDO
Especialitats Elèctriques Escubedo S.A.

LOW INSERTION RECEPTACLE
SERIES 2,8mm.



DESIGN	M.Codina	22/07/19
VERIFY	X.Menac	22/07/19
SCALE	5/1	

MATERIAL
STANDARD
EN 1654

DIMENSION
STANDARD
Special

GENERAL
TOLERANCES
±0.2 ±2°

FORMAT	A4v
FILE	PT4602 "c"
REF.	4602.xx