

P5926**

RAST 5 TERMINALS AND CONNECTORS · RAST5 PCB CRIMP CONNECT



Specification

Connector RAST 5 PCB Crimp Connect

Thermal Characteristics

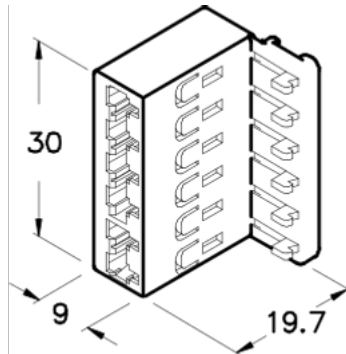
Part nr.	Raw material	Color	Flammability Class (UL 94)	Glow Wire Test (GWT) (IEC60695-2-11)	Glow Wire Flammability Index (IEC60695-2-12)	RTI electrical (Max. Operating Temp.)
P592610	PA66V2	Natural	V2	(T.B.D.)	850°C	105°C
P592630	PA66V0	Natural	V0	(T.B.D.)	960°C	140°C
P592640	NO FLAME	Natural	V2	(T.B.D.)	960°C	130°C
P592670	PPV2 NF	Natural	V2	(T.B.D.)	(T.B.D.)	(T.B.D.)

For other materials and colors ask to: info@escubedo.com

Compatible terminals

9200.**, 9202.**, 9202E, 9202E**

Drawing



Disclaimer

Data obtained from Escubedo Laboratory essays, using own methodology, cabling, equipment and original crimping tools, done in laboratory conditions and following the indicated standards, errors and omissions excepted. This document has no contractual meaning and it is publicised only for informative purposes. It can be changed without prior notice. The end customer has the sole responsibility to check these characteristics in its environment and with its own components, manufacturing methods and equipment. See also the full range product overview if available. For further information please visit our web site or contact us