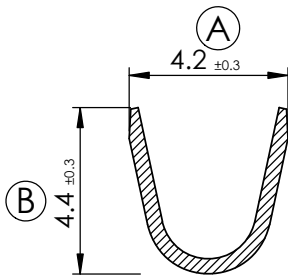
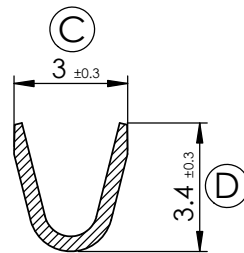


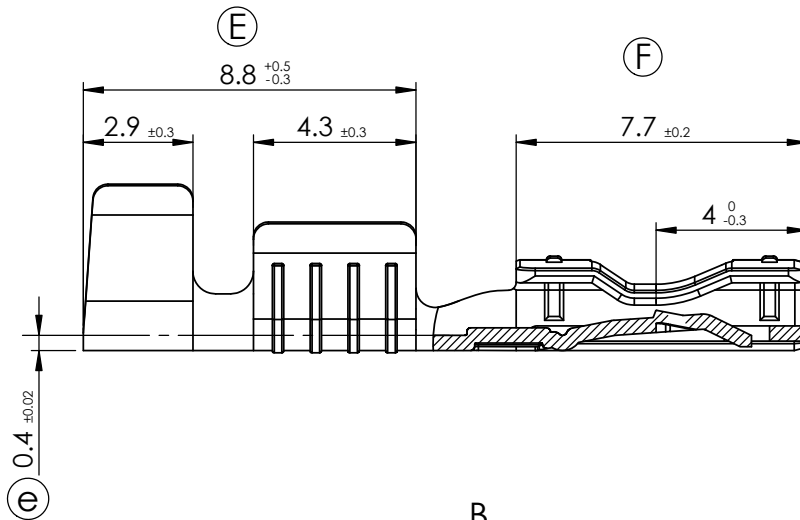
SYMBOLS DEFINITION	
◆	Critical/Functional dimension
⊙	Control dimension
⊗	Modification index



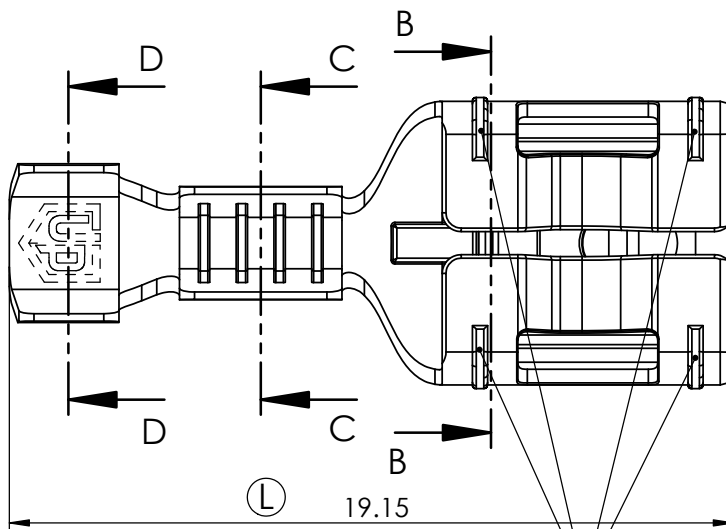
SECTION D-D



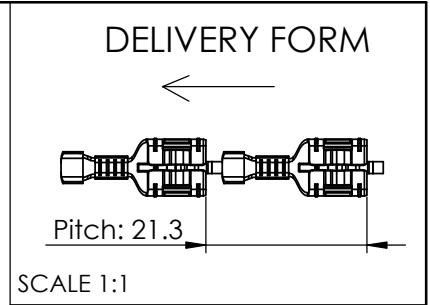
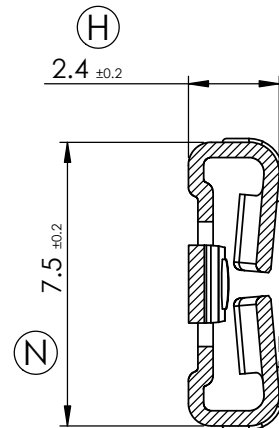
SECTION C-C



⊙ 0.4 ±0.02



SECTION B-B



Only for materials .00 & .01

4837.24	Pre-Ni pla.	Steel	0.5-1.5mm ²	2-3.3mm	6.3x0.8 DIN46244				
4837.02	Sn plated	CuZn30							
4837.01	Pre-Sn pla.								
4837.00	Natural								
Part Num.	Finish	Material	Wire Size	∅Insulation	For Tab				

Rev.	Name	Modification	Date
05	D.Yabar	Afegir material .02	11/03/25
04	D.Yabar	Actualitzar vistes PT/PTP	18/06/24
03	D.Yabar	Actualitzar vistes PT/PTP	19/01/24
02	D.Yabar	Actualitzar alçada aleta conductora	18/01/24
01	D.Yabar	Afegir cota angular	18/10/23
00	D.Yabar	Modificació PTD	18/10/23
		Delete Provisional release r00	07/09/23

DRAWN	D.Yabar	04/11/21
REVISED	X.Menac	04/11/21
SCALE	5:1	

LOW INSERTION RECEPTACLE SERIES 6.3mm		
MATERIAL STANDARD	DIMENSIONAL STANDARD	GENERAL TOLERANCES
EN1654	Special	±0.2

FORMAT	A4v
DRAWING	PT4837 "C"
REF.	4837.xx