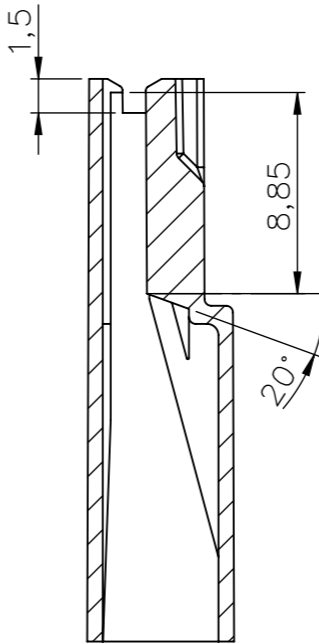
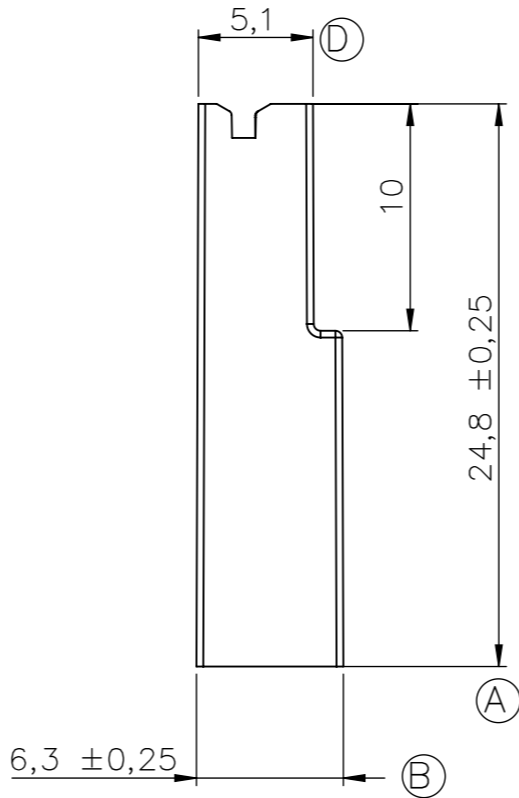
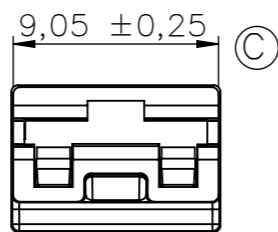
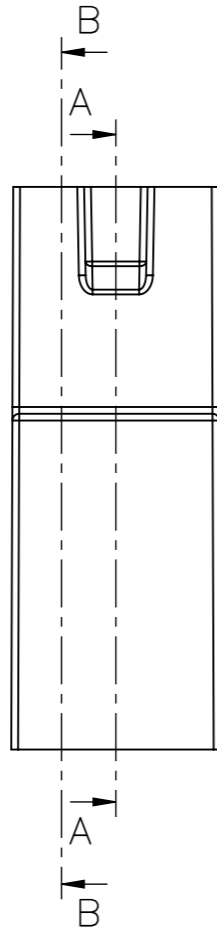
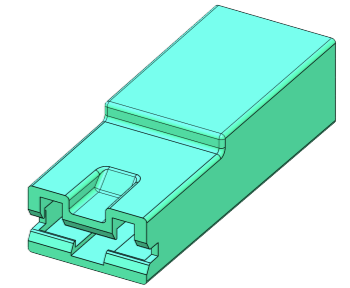


SECTION B-B



SECTION A-A



s: 2/1

NOTES	
GENERAL NOTES	
Refer to 3D for missing dimensions. In case of doubt, ask before interpretate any dimension.	
SYMBOLS DEFINITION	
⊕	Control dimension

2641895	Black	LCP	1W	12	O.Roura	Add. material 32/33	30/04/26
2641865	Black	PAV0NF		11	O.Roura	Update dimension E	04/02/25
2641860	Black			10	O.Roura	Update dimension B	05/12/24
2641850	Natural	PA46		09	O.Roura	Add. material 45	10/06/24
2641845	Black			08	O.Roura	Add. material 43	13/02/24
2641843	Red	PAV2NF		07	O.Roura	Mod. acc. to file MPT-PTP-c613_26418xx_06	28/02/23
2641840	Natural			06	M.Codina	Simpl. vistas	17/05/21
2461833	Red	PA66V0		05	M.Codina	Act. mat. 95	20/01/21
2461832	Yellow	PA66V0		04	-	CR/2641895	15/12/17
2461830	Natural	PA66V0		03	-	Añ. 2641885	18/04/17
2641810	Natural	PA66V2		02	-	Act. mats.	27/10/16
				01	-	Act. cotas	25/04/16
				00	JCS	1ª Edición	04/05/15
Part Number	Finish	Material	Ways	Rev	Name	Modification	Date

			<b>STRAIGHT HOUSING</b> <b>SERIES 6.3 – UP – TPSEK3</b> Selflocking Female Low Insertion Terminals					
DRAWN	JCS	04/05/15	MATERIAL STANDARDS	DIMENSIONAL STANDARDS	GENERAL TOLERANCES	FORMAT	A3h	
REVISED	FAT	04/05/15	Special	Special	±0,25	DRAWING	PTC-c613	
SCALE	3:1					REF.	26418xx	