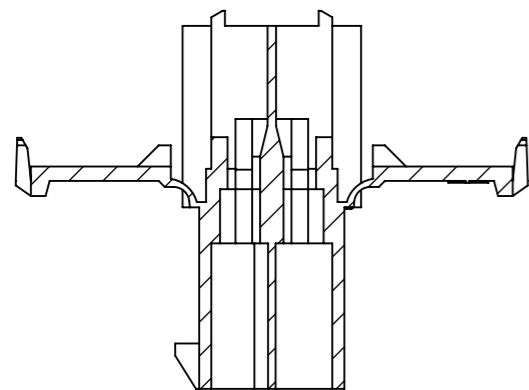
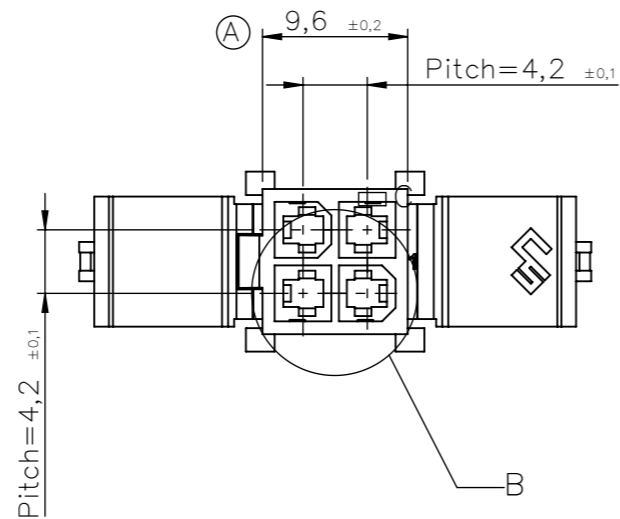
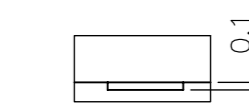
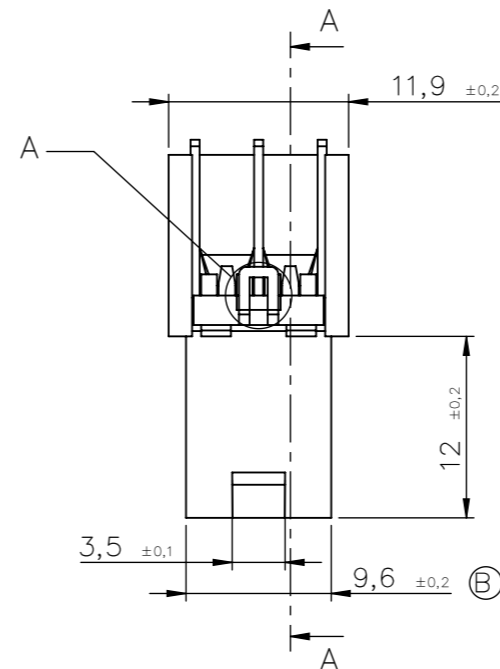
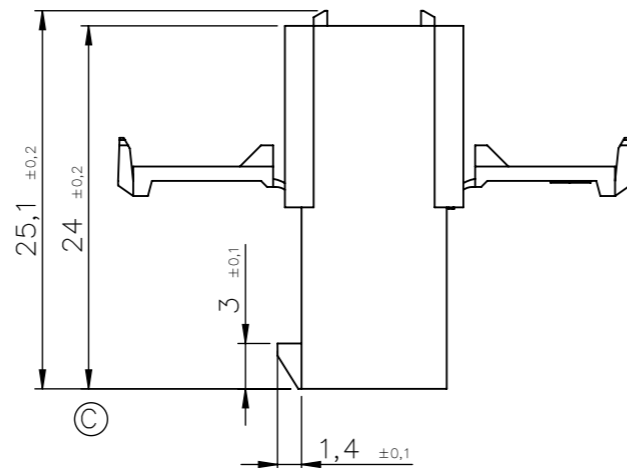


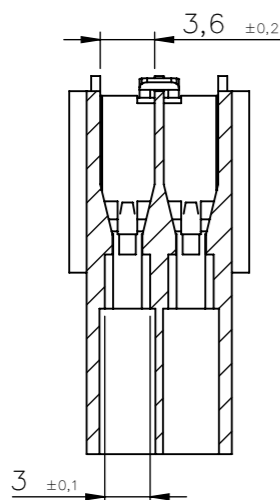
DETAIL B
SCALE 4 : 1



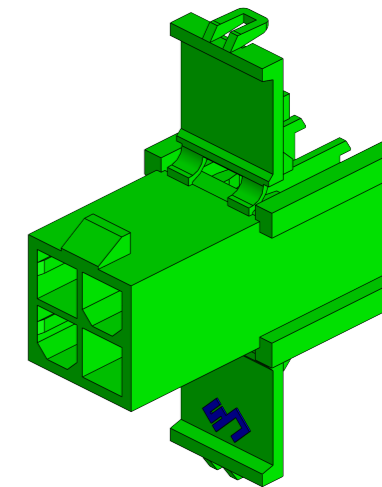
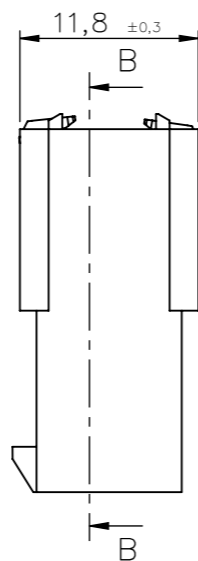
SECTION A-A



DETAIL C
SCALE 10 : 1



SECTION B-B



NOTES

GENERAL NOTES

Refer to 3D for missing dimensions. In case of doubt, ask before interpretate any dimension.

SYMBOLS DEFINITION

⊗ Control dimension

242F2280	Natural	PAV2NF	2x2w	05	O.Roura	Suppress mat. 45 Version 3.5->3.7	22/12/25
242F2260	Natural	PAV0NF		04	-	Mdf.vista cota	25/05/17
242F2240	Natural	PAV2GFNF		03	-	242F2260/80	27/04/17
242F2230	Natural	PAV0		02	-	Mat. 15%GF	26/04/16
242F2210	Natural	PAV2		01	-	Mat. 7%GF /Fechador	16/06/14
				00	V.Roura	1º Edición	16/01/12

Part Number	Finish	Material	Ways	Rev	Name	Modification	Date
-------------	--------	----------	------	-----	------	--------------	------

			MALE HOLDER PITCH 4.2 mm – UPFIT					
DRAWN	V.Roura	16/01/12	MATERIAL STANDARDS		DIMENSIONAL STANDARDS		GENERAL TOLERANCES	
REVISÉ	F.Adamuz	16/01/12	Special		Special		±0,25	
SCALE	2:1		REF. 242F22xx		r05			