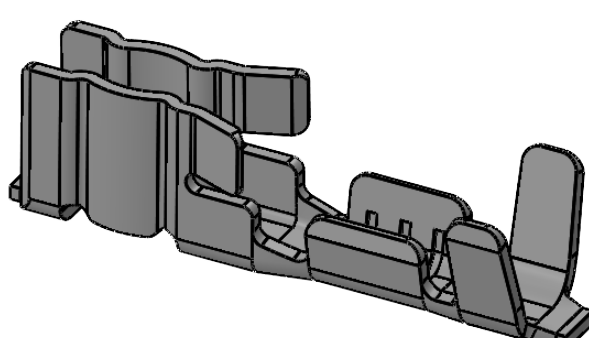
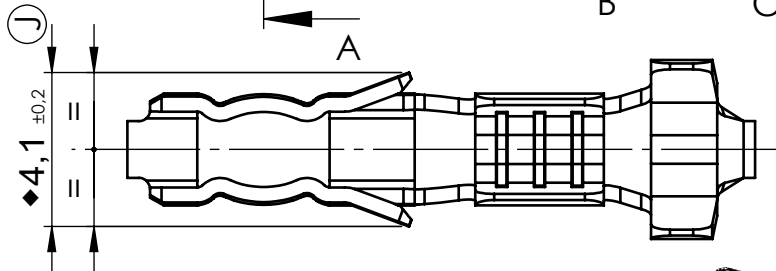
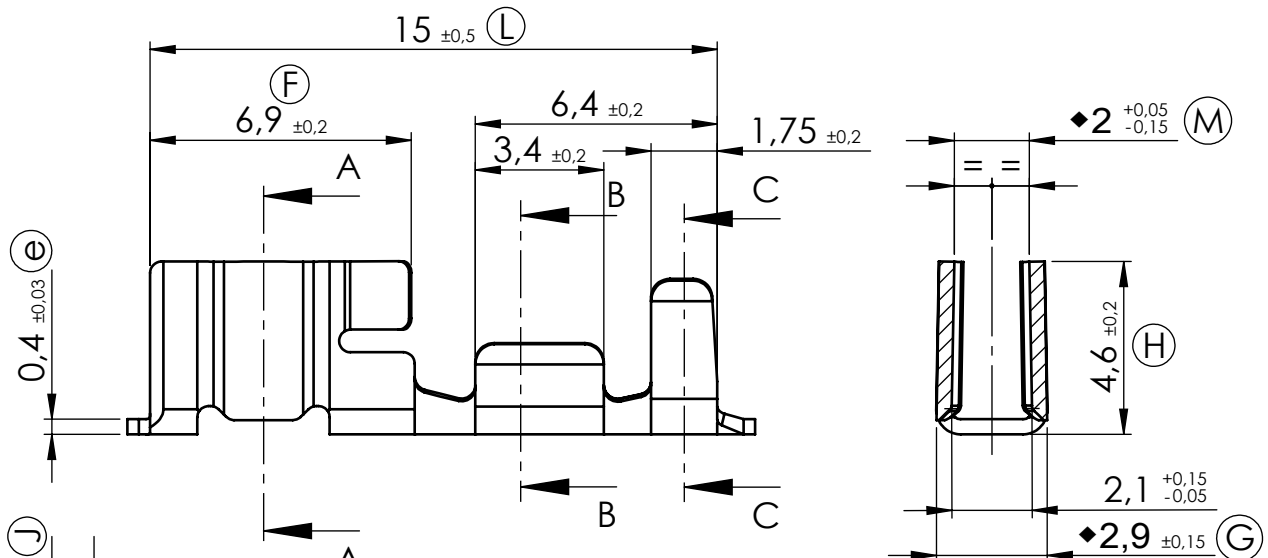
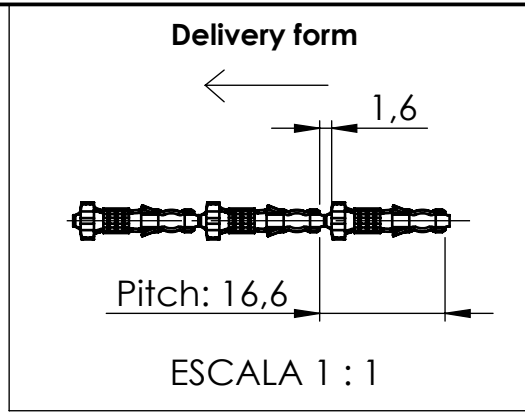
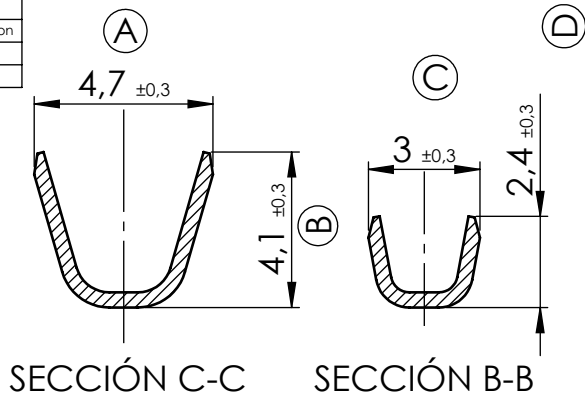


SYMBOLS DEFINITION	
•	Critical/Functional dimension
⊙	Control dimension
⊕	Modification index



4596.32	Post-Sn	CuSn6	0,35-0,75	1,8-2,5						
4596.30	Natural	CuSn6								
4596.02	Post-Sn	CuZn30								
4596.00	Natural	CuZn30								
Part Num.	Finish	Material	Wire size (mm ²)	Insulation (mm.)	For Tab	A	Rev.	Name	Modification	Date

			CLUSTER BLOCK RECEPTACLE 2.29 [.090] DIA							
DRAWN	M.Bellido	19/01/2026	MATERIAL STANDARD EN1654	DIMENSIONAL NORMS Special	GENERAL TOLERANCES ±0.2±2°	FORMAT	A4v			
REVISED	E.Turon	19/01/2026				DRAWING	PT4596"C"			
SCALE	5:1						REF.	4596.xx	1	