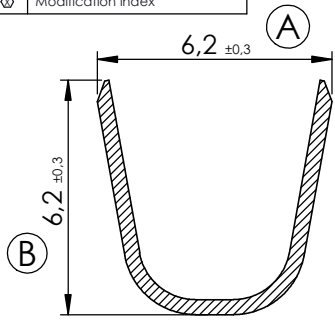
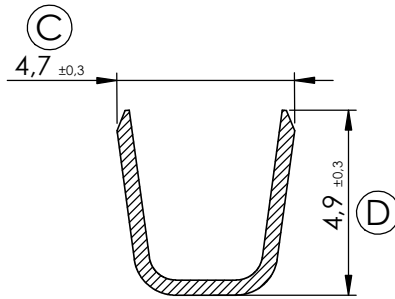


SYMBOLS DEFINITION	
•	Critical/Functional dimension
⊙	Control dimension
⊗	Modification index

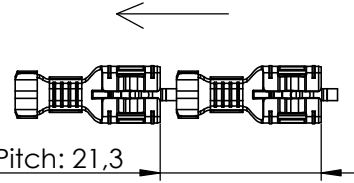


SECTION D-D

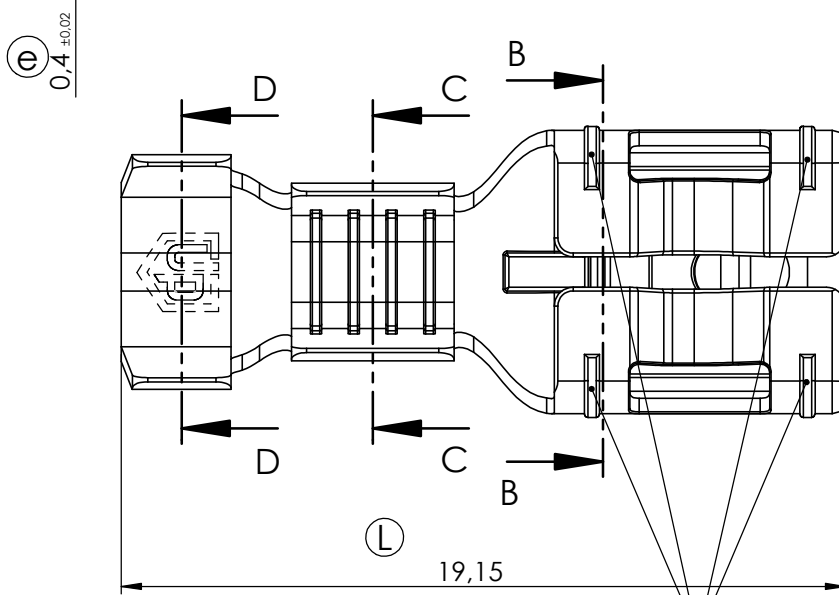
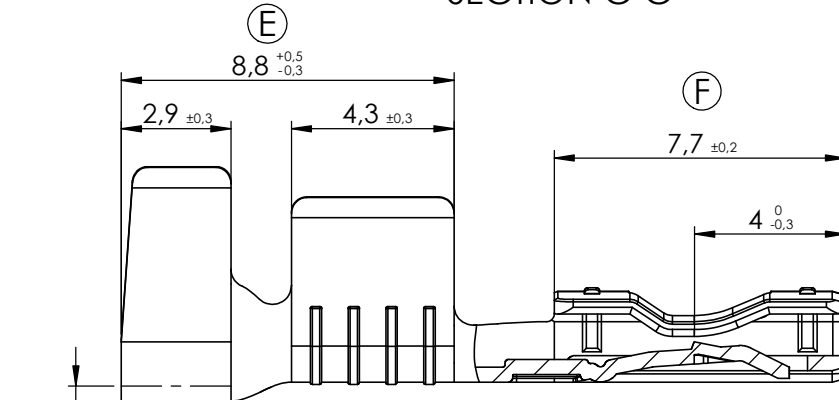


SECTION C-C

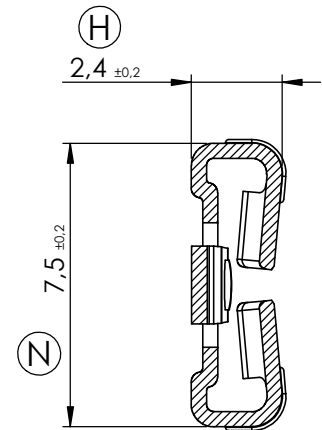
DELIVERY FORM



SCALE 1:1



Only for materials .00 & .01



SECTION B-B

4839.24	Pre-Ni pla.	Steel							
4839.02	Sn plated								
4839.01	Pre-Sn pla.	CuZn30	2.5-5mm2	3.8-5.1mm	6.3x0.8 DIN46244				
4839.00	Natural					01	D.Yabar	Add .02 Material	11/03/25
						00	D.Yabar	Delete Provisional	17/06/24
Part Num.	Finish	Material	Wire Size	ØInsulation	For Tab	Rev.	Name	Modification	Date

			<b>LOW INSERTION RECEPTACLE SERIES 6.3mm</b>					
DRAWN	D.Yabar	24/08/22				FORMAT	A4v	
REVISED	X.Menac	24/08/22	MATERIAL STANDARD	DIMENSIONAL STANDARD	GENERAL TOLERANCES	DRAWING	PT4839 "C"	
SCALE	5:1		EN1654	Special	±0.2	REF.	4839.xx	